

**SHEYENNE
DOUBLE QUICK-TACH
GRAPPLE ATTACHMENT**

**OWNERS MANUAL
OPERATOR INSTRUCTIONS
PARTS BOOK**



**701 Lenham Ave SW
PO Box 647
Cooperstown ND 58425
701-797-2700
701-797-2584 Fax
1-800-797-1883
www.sheynnemfg.com**

TABLE OF CONTENTS

<u>DESCRIPTION</u>	<u>PAGE</u>
Reference Information	2
Safety Instructions	3
Operation / Assembly	4
Installing the Grapple	4 & 5
Connecting Hydraulics	5
Installing Bucket to Grapple	5 & 6
Parts Section	7 - 11
Grapple Models / Variable Features	12
Warranty	13 & 14

REFERENCE INFORMATION

Write the correct information for your Grapple in the spaces below.
Always use this number when referring to your Grapple.

Grapple Serial Number _____

Notes: _____

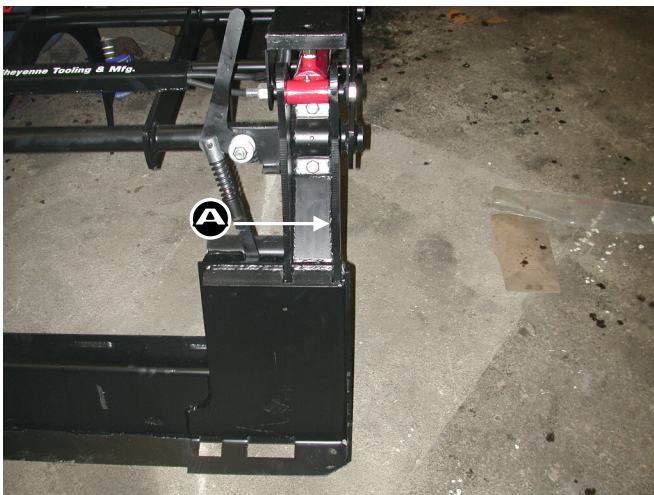
YOUR SHEYENNE DEALER: _____

ADDRESS: _____

PHONE: _____

SERIAL NUMBER LOCATION

Always use the serial number of the attachment when requesting service information or when ordering parts. [See Item A.]



SAFETY INSTRUCTIONS

SAFETY IS THE OPERATOR'S RESPONSIBILITY

The Sheyenne Grapple is designed to give maximum safety; but no machine design can prevent operator error or carelessness.

SAFE OPERATION NEEDS A QUALIFIED OPERATOR!!

- Check that **BOTH** sets of Quick-Tach levers are in the locked position and the wedges are fully engaged into the holes of the grapple and bucket.
- **DO NOT** permit personnel to be in the work area when operating the skid steer and grapple.
- **DO NOT** make any adjustments or repairs on grapple while the skid steer engine is running.
- When learning to operate the grapple, do it at a slow rate in an area clear of bystanders.
- **DO NOT** go near hydraulic leaks. **Always** turn off engine before repairing hydraulic hoses.
- Be aware of work area conditions. ie., excessive slope, obstructions etc.
- Know the weight of the materials being handled. Avoid exceeding the Rated Operating Capacity of the skid steer.

OPERATION

The Sheyenne Grapple comes fully assembled except for hoses to the skid steer and couplers. *These are not provided because each skid steer has different placements and types of hydraulic hookups.



Assembly

Materials Needed:

- 1.) (2) pcs. ½” x approx. 30” long hydraulic hose w/1/2” MPT fittings on both ends. (Hose should be rated @ 2500psi or higher)
- 2.) (1) pc. Male coupler, type depending on skid steer.
- 3.) (1)pc. Female coupler, type depending on skid steer.

Assemble couplers to each hose using thread sealing compound.

Assemble each hose assembly from above into the fittings on the Grapple using thread sealing compound.

Allow to dry thoroughly before testing for leaks.

Note* - If your particular skid steer requires additional fittings to hook up to the Sheyenne Grapple, consult our additional instruction sheet.

Installing The Grapple

Always inspect the Quick-Tach and Grapple mount before installation.

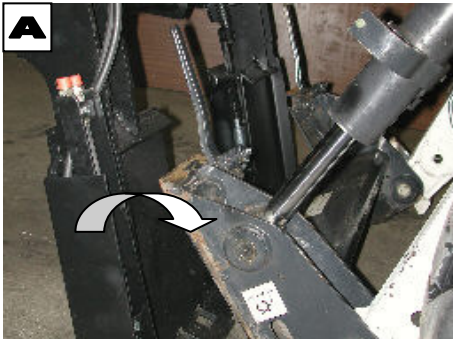
Enter the loader.

With the operator in the seat and appropriate safety restraints in place, start the engine.

Raise the lift arms slightly and tilt the skid steer mounting plate forward

Installing The Grapple cont.

Drive the loader forward until the top edge of the skid steer mounting plate is completely under the top flange of the Grapple. Be sure the Quick-Tach levers do not hit the Grapple. [See View A]



Tilt the skid steer mounting plate backward until the Grapple is slightly off the ground.

Stop the engine and exit the loader.

Push down on the Quick-Tach levers until they are fully engaged in the locked position and wedges are fully extended through the mounting frame holes. [See View B-1]



The levers will contact the frame as shown when locked.

Connecting Hydraulics

To Connect: Relieve hydraulic pressure. Remove any dirt or debris from the surface of both the male and female couplers, and from the outside diameter of the male coupler. Visually check the couplers for corroding, cracking, damage, or excessive wear. If any of these conditions exist, the coupler(s) must be replaced.

Install the male coupler into the female coupler and vice versa.

To Disconnect: Relieve hydraulic pressure. Rotate the ball release sleeve so that the grooves are aligned with the pins in the female coupler. Push the couplers together to relieve any resistance on the sleeve.

Installing Bucket to Grapple

Open Grapple as wide as possible to allow easier viewing.

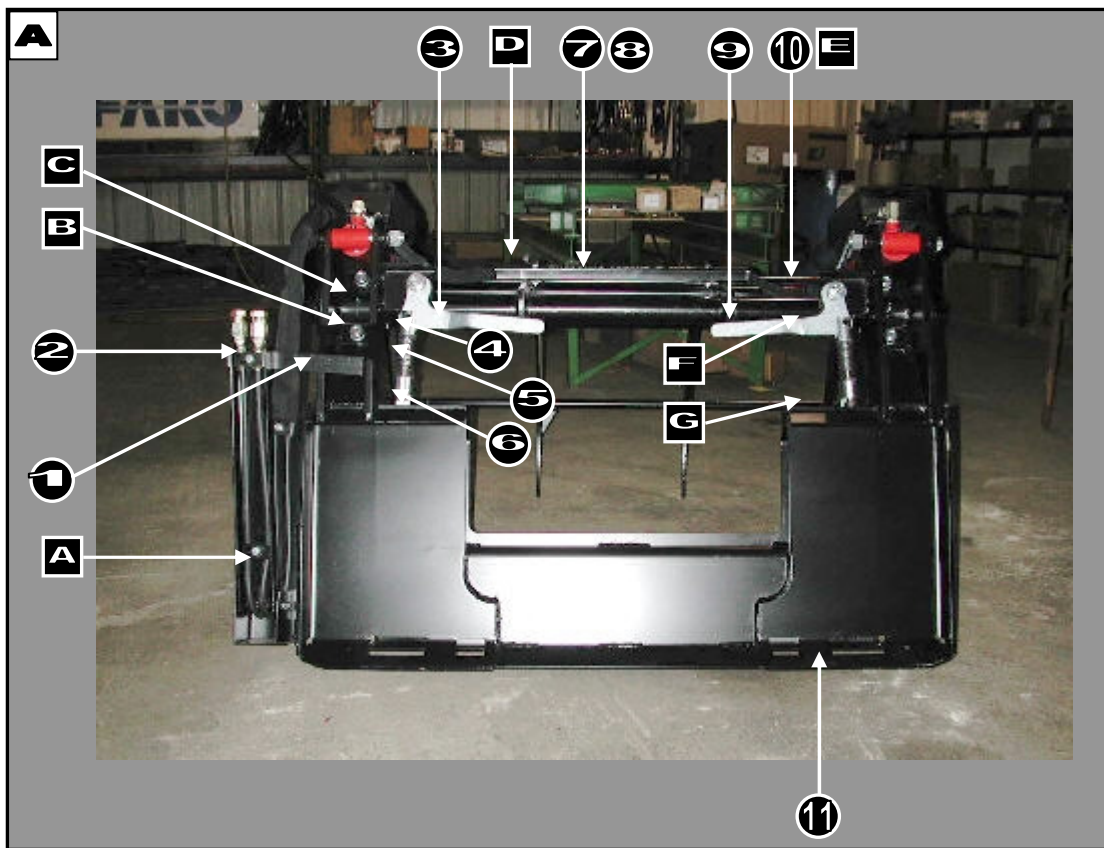


Repeat the same procedure used to attach Grapple, again making certain that the flange on the top is fully inserted and that both wedge pins are all the way thru the mounting plate.

CAUTION!! – When using your Sheyenne Grapple for the first time, extreme care must be taken to insure there is proper clearance between the Grapple teeth and skid steer cab when the Grapple is fully opened, and between the Grapple teeth and bucket that is being used when the Grapple is fully closed. Failure to do so could result in damage to the skid steer, Grapple teeth, or bucket that is being used.

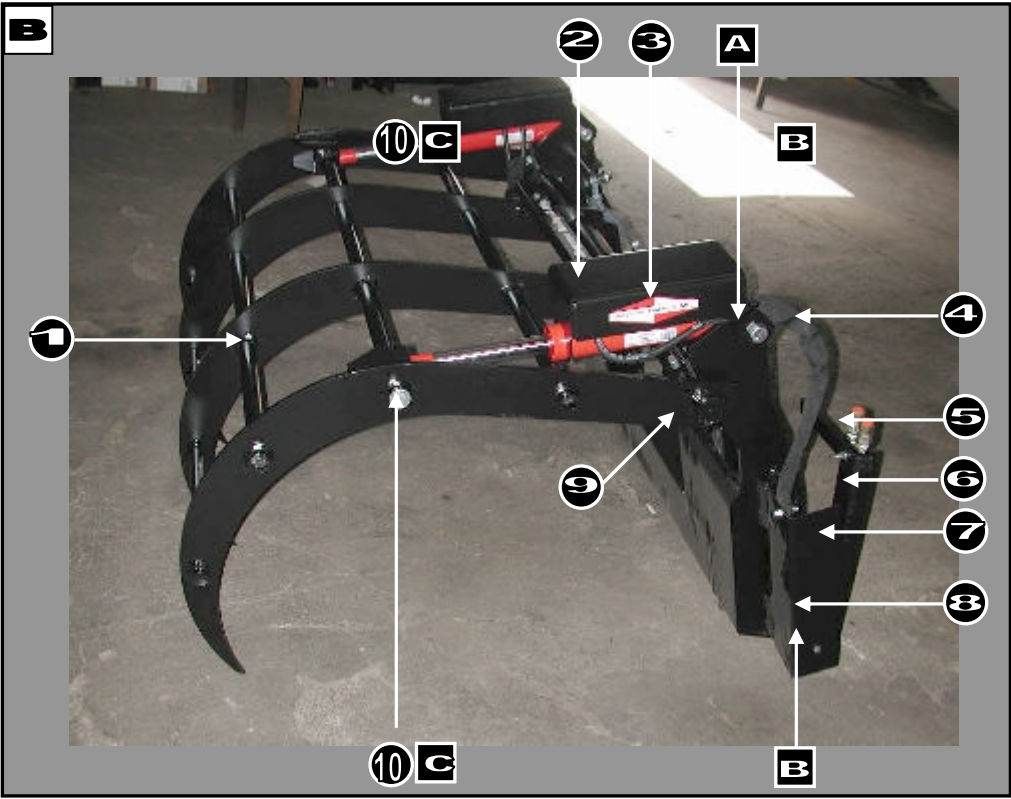
PARTS

SECTION



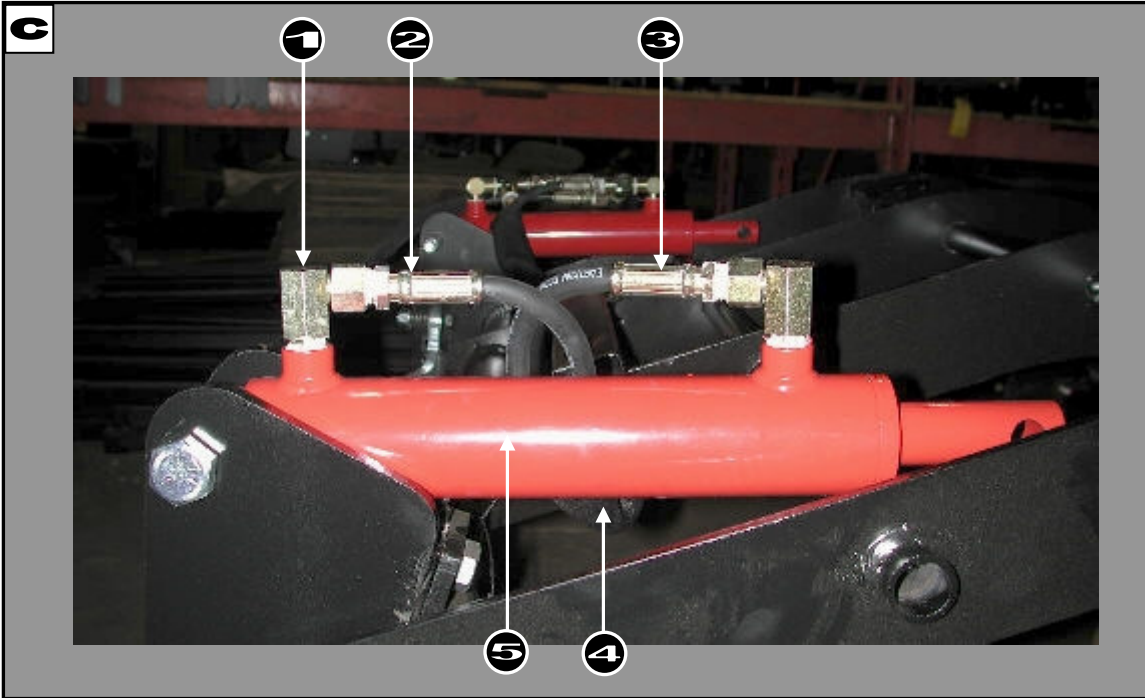
PIECE PARTS SHOWN IN VIEW A

ITEM	PART#	DESCRIPTION	QTY
1	310-3-1142	Hose Guide Stop	1
2	310-3-1151	Hose Hold Down	3
3	310-3-1124	Quick-Tach Handle L/H	1
4	310-3-1138	Linkage Connector	2
5	310-3-1137	Quick-Tach Spring	2
6	310-2-1203	Lever Linkage W/	2
7	310-3-1140	Hose Protection Tube	1
8	310-3-1100	Sheyenne Decal	1
9	310-3-1147	Quick-Tach Handle R/H	1
10	310-3-1136	Quick-Tach Handle Spring	2
11	310-3-1109	Quick-Tach Rod [not shown in picture]	2
A	900-01063	5/16 x 1-1/2 Gr. 5 HHCS	3
	900-06137	5/16 Serrated Flange Nut	3
B	900-01341	5/8 x 1-1/2 Gr. 5 HHCS	4
	900-11015	5/8 Lockwasher	4
	900-06013	5/8 Hex Nut	4
C	905-15024	1/4-28 Grease Zerk	2
D	900-01063	5/16 x 1-1/2 Gr. 5 HHCS	2
	900-06137	5/16 Serrated Flange Nut	2
E	900-01237	1/2 x 3 Gr. 5 HHCS	2
	900-11183	1/2 Flatwasher	4
	900-06504	1/2 Top Lock Nut	2
F	900-29309	1/2 x 1-1/2 Roll Pin	4
G	?	5/8 x 2-1/4 Shoulder Bolt	2



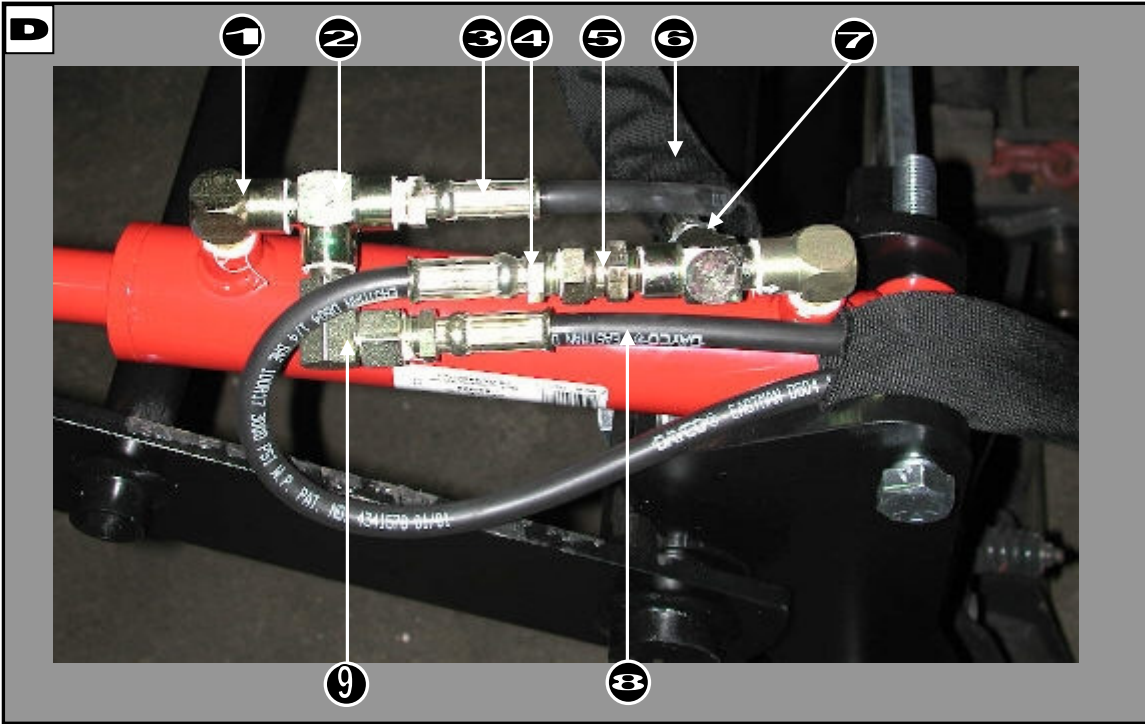
PIECE PARTS SHOWN IN VIEW B

ITEM	PART#	DESCRIPTION	QTY
1	SEE p. 12	Long Tooth Grapple W/A	1
	SEE p. 12	Short Tooth Grapple W/A	1
2	310-2-1204	Cylinder Shield W/A	2
3	310-3-1100	Sheyenne Decal	1
4	904-06027	Long Hose Protection Sleeve Variable, See Page 12 For Model & Length Required	1
5	904-08006	3/8 MPT to 1/2 MPT Swivel	2
6	310-2-1208	Hose Shield Arm W/A	1
7	310-3-1152	Hose Arm Spring [not shown in picture]	1
8	310-3-1150	Hose Arm Bushing [not shown in picture]	1
9	310-2-1221	Top Pivot Plate [not shown in picture]	2
10	310-2-1202	Cylinder Pin W/A	2
A	900-01429	3/4 x 6-1/2 Gr. 5 HHCS	2
	900-06510	3/4 Top Lock Nut	2
B	900-01129	3/8 x 3-1/2 Gr. 5 HHCS	1
	900-06139	3/8 Serrated Flange Nut	1
C	900-29134	3/16 x 1-1/2 Roll Pin	2



PIECE PARTS SHOWN IN VIEW C

ITEM	PART#	DESCRIPTION	QTY
1	904-08001	3/8 MPT to 3/8 FPT Swivel 90	2
2	904-06004	¼ Hyd. Hose x 47" w/3/8 MPT ends	1
3	904-06003	¼ Hyd. Hose x 50" w/3/8 MPT ends	1
4	904-06027	Short Hose Protection Sleeve, x 12"	1
5	905-21201	2 x 8 Hydraulic Cylinder	2



PIECE PARTS SHOWN IN VIEW D

ITEM	PART#	DESCRIPTION	QTY
1	904-08004	3/8 MPT to 3/8 FPT 90	2
2	904-08002	3/8 MPT to 3/8 FPT to 3/8 FPT Tee	2
3	904-06003	1/4 Hyd. Hose x 50" w/3/8 MPT ends	1
4	SEE p. 12	1/4 Hyd. Hose x _____ w/3/8 MPT ends	1
5	904-08003	3/8 MPT to 3/8 FPT Swivel {0.100 Reducer}	1
6	310-3-1158	Short Hose Protection Sleeve	1
7	904-06004	1/4 Hyd. Hose x 47" w/3/8 MPT ends	1
8	SEE p. 12	1/4 Hyd. Hose x _____ w/3/8 MPT ends	1
9	904-08001	3/8 MPT to 3/8 FPT Swivel 90	1

DOUBLE QUICK-TACH GRAPPLE MODELS - RESPECTIVE VARIABLE FEATURES

PART NUMBERS DESCRIPTIONS

MODEL – TOP LEVEL PART NO. & DESCRIP	GRAPPLE W/A ITEM 1, p.9	MAIN FRAME W/A (BACK)	HYD HOSE ITEM 4, p.11	HYD HOSE ITEM 8, p.11	LONG HOSE PROTECTIVE SLEEVE ITEM 4, p. 9
310-0-1100 LARGE	310-2-1207	310-2-1206	904-06173 68”	904-06170 59-1/4”	904-06027 CUT TO 24”
310-0-1200 HIGH BACK	310-2-1207	310-2-1214	904-06176 77”	904-06173 68”	904-06027 CUT TO 32”
310-0-1210 X-HIGH BACK	310-2-1218	310-2-1231	904-06181 108”	904-06180 100”	904-06027 CUT TO 32”
310-0-1220 HIGH BACK 75” WIDE	310-2-1228	310-2-1214	904-06176 77”	904-06173 68”	904-06027 CUT TO 32”
310-0-1400 K-BACK	310-2-1226	310-2-1223	904-06022 77”	904-06170 59-1/4”	904-06027 CUT TO 32”

Please enter information below and SAVE FOR FUTURE REFERENCE

GRAPPLE WARRANTY

SHEYENNE TOOLING & MANUFACTURING warrants each new product to be free from defects in material and workmanship. This warranty is applicable only for the normal service life expectancy of the machine or components, not to exceed twelve consecutive months from the date of delivery of the new SHEYENNE TOOLING & MANUFACTURING product to the original purchaser.

Genuine SHEYENNE TOOLING & MANUFACTURING replacement parts and components will be warranted for 90 days from date of purchase, or the remainder of the original equipment warranty period, whichever is longer.

Under no circumstances will it cover any merchandise or components thereof, which in the opinion of the company, has been subject to negligent handling, misuse, alteration, an accident, or if repairs have been made with parts other than those obtainable through SHEYENNE TOOLING & MANUFACURING.

The company in no way warrants engines, batteries, tires or other trade accessories since these items are warranted separately by their respective manufacturers.

Our obligation under this warranty shall be limited to repairing or replacing, free of charge to the original purchaser, any part that in our judgement shall show evidence of such defect, provided further that such part shall be returned within thirty (30) days from date of failure to SHEYENNE TOOLING & MANUFACTURING.

This warranty shall not be interpreted to render us liable for injury or damages of any kind or nature to person or property.

Except as set forth above, **SHEYENNE TOOLING & MANUFACTURING shall have no obligation of liability of any kind on account of any of its equipment and shall not be liable for special or consequential damage. SHEYENNE TOOLING & MANUFACTURING makes no other warranty, express or implied, and, specifically, SHEYENNE TOOLING & MANUFACTURING disclaims any implied warranty of merchantability of fitness for a particular purpose. Some states or provinces do not permit limitations or exclusions of implied warranties of incidental or consequential damages, so the limitations or exclusions in this warranty may not apply.**

This warranty is subject to any existing conditions of supply, which may directly affect our ability to obtain materials or manufacture replacement parts.

SHEYENNE TOOLING & MANUFACTURING reserves the right to make improvements in design or changes in specifications at any time, without incurring any obligations to owners of units previously sold.

No one is authorized to alter, modify or enlarge neither this warranty nor the exclusions, limitations and reservations.

I have read and understand the above instructions and warranty. Please complete both copies. **Warranty is invalid until signed and dealer copy is returned to the dealer.**

Date Purchased _____

Dealership _____

Model Number _____

Serial Number _____

Customer Signature _____

Date _____

Dealer Signature _____

Date _____

Customer Copy

Please enter information below and

SAVE FOR FUTURE REFERENCE

GRAPPLE WARRANTY

SHEYENNE TOOLING & MANUFACTURING warrants each new product to be free from defects in material and workmanship. This warranty is applicable only for the normal service life expectancy of the machine or components, not to exceed twelve consecutive months from the date of delivery of the new SHEYENNE TOOLING & MANUFACTURING product to the original purchaser.

Genuine SHEYENNE TOOLING & MANUFACTURING replacement parts and components will be warranted for 90 days from date of purchase, or the remainder of the original equipment warranty period, whichever is longer.

Under no circumstances will it cover any merchandise or components thereof, which in the opinion of the company, has been subject to negligent handling, misuse, alteration, an accident, or if repairs have been made with parts other than those obtainable through SHEYENNE TOOLING & MANUFACTURING.

The company in no way warrants engines, batteries, tires or other trade accessories since these items are warranted separately by their respective manufacturers.

Our obligation under this warranty shall be limited to repairing or replacing, free of charge to the original purchaser, any part that in our judgement shall show evidence of such defect, provided further that such part shall be returned within thirty (30) days from date of failure to SHEYENNE TOOLING & MANUFACTURING.

This warranty shall not be interpreted to render us liable for injury or damages of any kind or nature to person or property.

Except as set forth above, **SHEYENNE TOOLING & MANUFACTURING shall have no obligation of liability of any kind on account of any of its equipment and shall not be liable for special or consequential damage. SHEYENNE TOOLING & MANUFACTURING makes no other warranty, express or implied, and, specifically, SHEYENNE TOOLING & MANUFACTURING disclaims any implied warranty of merchantability of fitness for a particular purpose. Some states or provinces do not permit limitations or exclusions of implied warranties of incidental or consequential damages, so the limitations or exclusions in this warranty may not apply.**

This warranty is subject to any existing conditions of supply, which may directly affect our ability to obtain materials or manufacture replacement parts.

SHEYENNE TOOLING & MANUFACTURING reserves the right to make improvements in design or changes in specifications at any time, without incurring any obligations to owners of units previously sold.

No one is authorized to alter, modify or enlarge neither this warranty nor the exclusions, limitations and reservations.

I have read and understand the above instructions and warranty. Please complete both copies. **Warranty is invalid until signed and dealer copy is returned to the dealer.**

Date Purchased _____

Dealership _____

Model Number _____

Serial Number _____

Customer Signature _____

Date _____

Dealer Signature _____

Date _____

Dealer Copy



**701 Lenham Ave SW
PO Box 647
Cooperstown ND 58425
701-797-2700
701-797-2584 Fax
1-800-797-1883
www.sheyennemfg.com**

310-3-1208
11/13