

FOLD DOWN PALLET FORK



OWNERS MANUAL OPERATOR INSTRUCTIONS PARTS BOOK



7TH & Lenham Ave
PO Box 647
Cooperstown, ND 58425
701-797-2700
701-797-2584 Fax
1 (800) 797-1883
www.sheynnemfg.com

TABLE OF CONTENTS

| | |
|--|-------|
| REFERENCE INFORMATION..... | 2 |
| SAFETY INSTRUCTIONS..... | 2 |
| INSTALLING THE QUICK-TACH TO THE SKID-STEER..... | 3 |
| OPERATING THE PALLET FORK | 4 |
| PARTS SECTION..... | 5 |
| PALLET FORK WARRANTY | 6 - 8 |

Reference Information

Write the correct information for your Pallet Fork in the space below. Always use this number when referring to your Pallet Fork.

Pallet Fork Serial Number _____

Notes: _____

Your Sheyenne Tooling & Manufacturing
Dealer: _____

Address: _____

Phone Number: _____

Safety Instructions

“Safety is the Operator’s responsibility!”

The Sheyenne Pallet Fork is designed to give maximum safety; but no machine design can prevent operator error or carelessness.

The use of the Pallet Fork requires a qualified operator who understands the working capabilities of both the skid steer and the Pallet Fork.

Safe operation needs a qualified operator!!

- Check that the Quick-Tach levers are in the locked position.
- **DO NOT** permit personnel to be in the work area when operating the skid steer and Pallet Fork.
- **DO NOT** make any adjustments or repairs on the Pallet Fork while the skid steer engine is running.
- When learning to operate the Pallet Fork, do it at a slow rate in an area clear of bystanders.

- **DO NOT** operate the Pallet Fork near powerlines. Give wide clearance to **ALL** utility lines.

- **DO NOT** go near hydraulic leaks. **Always** turn off engine before repairing hydraulic hoses.
- Be aware of work area conditions. ie., excessive slope, obstructions, holes, bumps etc.
- Know the weight of the materials being handled. Avoid exceeding the Rated Operating Capacity of the skid steer and the Pallet Fork.

Installing The Quick-Tach to the Skid-Steer

Always inspect the Quick-Tach and Tele-Fork mount before installation.

Enter the loader.

With the operator in the seat and appropriate safety restraints in place, start the engine.

Raise the lift arms slightly and tilt the skid steer mounting plate forward.

Drive the loader forward until the top edge of the skid steer mounting plate is completely under the top flange of the Tele-Fork. Be sure the Quick-Tach levers do not hit the Tele-Fork. See view **a** on the next page.



Tilt the skid steer mounting plate backward until the Tele-Fork is slightly off the ground.

Stop the engine and exit the loader.

Push down on the Quick-Tach levers until they are fully engaged in the locked position and wedges are fully extended through the mounting frame holes. See view **b** above.

Operating the Pallet Fork

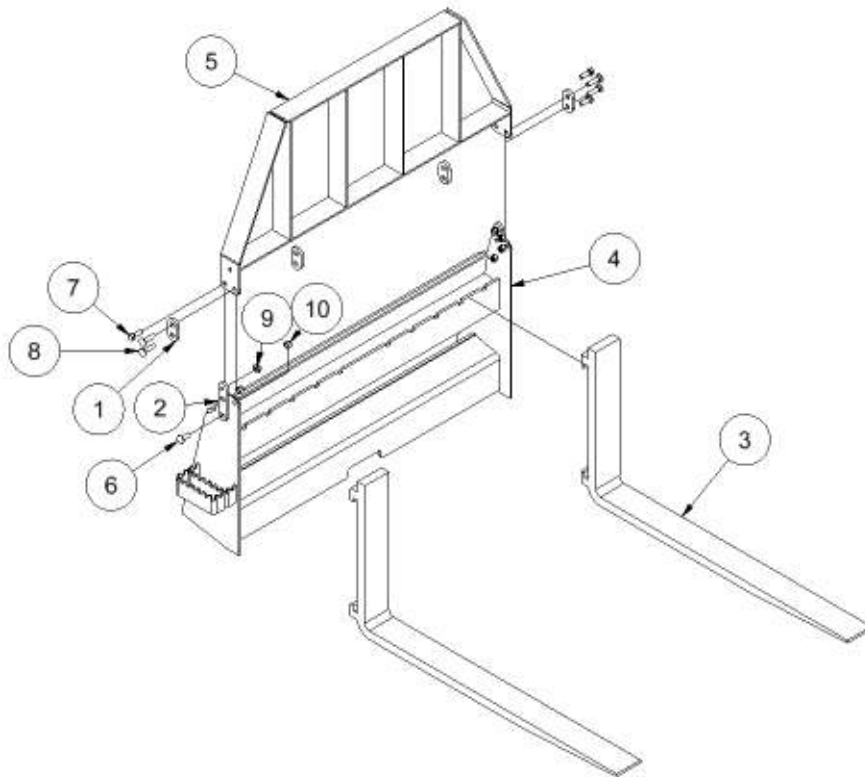
EXTREME CAUTION must be taken while using the Pallet Fork. A small movement of the loader will create a greater movement at the extended Pallet Fork end. The ground should be relatively free of obstructions and any foreign materials that would cause excessive movement on the end of the forks.

The Pallet Fork should always be lowered to the ground before the operator leaves the machine.

The class II or std forks (dependant upon which forklift model you purchased) are both 1.25 in thick, by 4 in wide and either 42, 48, or 60 inches long. Each are rated by the manufacturer at a maximum lifting of 3000 lbf/set of forks. Therefore each individual fork is designed to lift 1500 lbf and should not be exceeded by the operator.

PARTS SECTION

PALLET FORK



| ITEM | PART NUMBER | DESCRIPTION | QTY |
|------|-------------|------------------------------|-----|
| 1 | 604-3-0130 | PIVOT LINK, SQUARE | 1 |
| 2 | 604-3-0131A | PIVOT LINK, LOCKABLE | 1 |
| 3 | 604-3-0134 | FORK, 1-1/4 X 4 X 42" | 2 |
| | 604-3-0151 | FORK, 1-1/4 X 4 X 48" | 2 |
| 4 | 604-2-0090 | LOWER FRAME WELD ASSY | 1 |
| 5 | 604-2-0038 | DROP DOWN RACK | 1 |
| 6 | 900-01751 | 1/2NC X 1-1/2 GR5 CARR. BOLT | 2 |
| 7 | 900-01225 | 1/2NC X 1-1/2 HEX BOLT | 2 |
| 8 | 900-01753 | 1/2NC X 2 GR5 CARR. BOLT | 4 |
| 9 | 900-06143 | 1/2NC SERR. FLANGE NUT | 2 |
| 10 | 900-06588 | 1/2NC NYLON LOCK NUT | 6 |

Please enter information below and
SAVE FOR FUTURE REFERENCE

PALLET FORK WARRANTY

SHEYENNE TOOLING & MANUFACTURING warrants each new product to be free from defects in material and workmanship. This warranty is applicable only for the normal service life expectancy of the machine or components, not to exceed twelve consecutive months from the date of delivery of the new SHEYENNE TOOLING & MANUFACTURING product to the original purchaser.

Genuine SHEYENNE TOOLING & MANUFACTURING replacement parts and components will be warranted for 90 days from date of purchase, or the remainder of the original equipment warranty period, whichever is longer.

Under no circumstances will it cover any merchandise or components thereof, which in the opinion of the company, has been subject to negligent handling, misuse, alteration, an accident, or if repairs have been made with parts other than those obtainable through SHEYENNE TOOLING & MANUFACTURING.

The company in no way warrants engines, batteries, tires or other trade accessories since these items are warranted separately by their respective manufacturers.

Our obligation under this warranty shall be limited to repairing or replacing, free of charge to the original purchaser, any part that in our judgement shall show evidence of such defect, provided further that such part shall be returned within thirty (30) days from date of failure to SHEYENNE TOOLING & MANUFACTURING.

This warranty shall not be interpreted to render us liable for injury or damages of any kind or nature to person or property.

Except as set forth above, SHEYENNE TOOLING & MANUFACTURING shall have no obligation of liability of any kind on account of any of its equipment and shall not be liable for special or consequential damage. SHEYENNE TOOLING & MANUFACTURING makes no other warranty, express or implied, and, specifically, SHEYENNE TOOLING & MANUFACTURING disclaims any implied warranty of merchantability of fitness for a particular purpose. Some states or provinces do not permit limitations or exclusions of implied warranties of incidental or consequential damages, so the limitations or exclusions in this warranty may not apply.

This warranty is subject to any existing conditions of supply, which may directly affect our ability to obtain materials or manufacture replacement parts.

SHEYENNE TOOLING & MANUFACTURING reserves the right to make improvements in design or changes in specifications at any time, without incurring any obligations to owners of units previously sold.

No one is authorized to alter, modify or enlarge neither this warranty nor the exclusions, limitations and reservations.

I have read and understand the above instructions and warranty. Please complete both copies. **Warranty is invalid until signed and dealer copy is returned to the dealer.**

6/03

Date Purchased _____

Dealership _____

Model Number _____

Serial Number _____

Customer Signature _____

Date _____

Dealer Signature _____

Date _____

Customer Copy

Please enter information below and

SAVE FOR FUTURE REFERENCE

PALLET FORK WARRANTY

SHEYENNE TOOLING & MANUFACTURING warrants each new product to be free from defects in material and workmanship. This warranty is applicable only for the normal service life expectancy of the machine or components, not to exceed twelve consecutive months from the date of delivery of the new SHEYENNE TOOLING & MANUFACTURING product to the original purchaser.

Genuine SHEYENNE TOOLING & MANUFACTURING replacement parts and components will be warranted for 90 days from date of purchase, or the remainder of the original equipment warranty period, whichever is longer.

Under no circumstances will it cover any merchandise or components thereof, which in the opinion of the company, has been subject to negligent handling, misuse, alteration, an accident, or if repairs have been made with parts other than those obtainable through SHEYENNE TOOLING & MANUFACTURING.

The company in no way warrants engines, batteries, tires or other trade accessories since these items are warranted separately by their respective manufacturers.

Our obligation under this warranty shall be limited to repairing or replacing, free of charge to the original purchaser, any part that in our judgement shall show evidence of such defect, provided further that such part shall be returned within thirty (30) days from date of failure to SHEYENNE TOOLING & MANUFACTURING.

This warranty shall not be interpreted to render us liable for injury or damages of any kind or nature to person or property.

Except as set forth above, SHEYENNE TOOLING & MANUFACTURING shall have no obligation of liability of any kind on account of any of its equipment and shall not be liable for special or consequential damage. SHEYENNE TOOLING & MANUFACTURING makes no other warranty, express or implied, and, specifically, SHEYENNE TOOLING & MANUFACTURING disclaims any implied warranty of merchantability of fitness for a particular purpose. Some states or provinces do not permit limitations or exclusions of implied warranties of incidental or consequential damages, so the limitations or exclusions in this warranty may not apply.

This warranty is subject to any existing conditions of supply, which may directly affect our ability to obtain materials or manufacture replacement parts.

SHEYENNE TOOLING & MANUFACTURING reserves the right to make improvements in design or changes in specifications at any time, without incurring any obligations to owners of units previously sold.

No one is authorized to alter, modify or enlarge neither this warranty nor the exclusions, limitations and reservations.

I have read and understand the above instructions and warranty. Please complete both copies. **Warranty is invalid until signed and dealer copy is returned to the dealer.**

Date Purchased _____

Dealership _____

Model Number _____

Serial Number _____

Customer Signature _____

Date _____

Dealer Signature _____

Date _____

Dealer Copy



7TH & Lenham Ave
PO Box 647
Cooperstown, ND 58425
701-797-2700
701-797-2584 Fax
1 (800) 797-1883
www.sheyennemfg.com

604-3-0188
11/13