

SUNMASTER

PARTS BOOK

1220, 1620, 1820 and 2420 Series

High Capacity
Sunflower, Corn and Milo
Harvesting Attachment



Sheyenne Tooling & Mfg.

Sheyenne Tooling & Manufacturing
701 Lenham Ave. SW / PO Box 647
Cooperstown ND 58425
701-797-2700
800-797-1883
Fax 701-797-2584
www.sheynnemfg.com



Sheyenne Tooling & Mfg.

701 Lenham Ave SW
PO Box 647
Cooperstown ND 58425
(800) 797-1883 or (701) 797-2700
Fax (701) 797-2584
www.sheyennemfg.com

Sheyenne SUNMASTER HEADER



Made in
the USA

**High Capacity
Sunflower, Corn & Milo
Harvesting Attachment**

**Available In:
8, 12 and 16 Row With 30" Spacing
12 and 16 Row with 22" Spacing &
12, 16, 18 and 24 Row With 20" Spacing**

Custom Painting Available



**Harvest 6 – 30%
more crop from the
same field !**



**Significantly reduce
shatter losses**

**Superior choice for lodged or
excessively dry sunflowers**



**Minimize ear losses
in lodged corn**



**Cuts the stalks.
Can chop and spread
or drop for stover**

**Improved conditions for spring
planting and weed control**



**Unique design picks up
downed milo, but leaves
taller standing stubble**

Table of Contents

20" Manual

Description	Chart #	Page #
Table of Contents	-	2
Service parts, how to order - metric information	-	3
Major component systems	001	4 & 5
Lower drive assy	002	6 & 7
Gearbox arrangement detailed, 16, 18 & 24 row	003	8 & 9
Sprockets, Shafts & Gearboxes	004	10 & 11
Gearbox assy, inner	005	12 & 13
Gearbox cross-sections	006	14 & 15
Shafts, sprockets, bearings, keys, hubs & hardware	007	16 & 17
Arm assembly	008	18 & 19
Cross auger mounting, LH & RH	009	20 & 21
Endplate assemblies, LH & RH	010	22 & 23
Center support, divided cross auger, 2420 model	011	24 & 25
The two drive systems defined	-	26 & 27
Single end drive assemblies, RH & LH, model 1220	012	28 & 29
Double end drive assy, LH, models 16, 18 & 2420	013	30 & 31
Double end drive assy, RH, models 16, 18 & 2420	014	32 & 33
Connecting shaft assembly	015	34 & 35
Clutch and sprocket assembly, LH, 12, 16, 18 & 24	016	36 & 37
Clutch and sprocket assembly, RH, 16, 18 & 24	017	38 & 39
Chain tensioner assembly	018	40 & 41
PTO drive shaft assy	019	42 & 43
JD 9600 drive kit	020	44 & 45
Row units	021 & 022	46 - 49
Rotary cutting mechanism	023	50 & 51
Gathering chain and tensioner assy (RH/LH)	024	52 & 53
Chain guide assy (RH/LH)	025	54 & 55
Vibrating catch pan assemblies	026	56 & 57
Vibrating catch pans	027 & 028	58 - 61
Lower shielding	029 & 030	62 - 65
Shields, left hand (divider)	031	66 & 67
Shields, right hand (divider)	032	68 & 69
Rear screen assy	033	70 & 71
Snouts	034	72 & 73
Snout assy, end row - left hand - 20"	035	74 & 75
Snout assy, end row - right hand - 20"	036	76 & 77
Snout assy, center - 20" -- with left & right variation	037	78 & 79
Special tools, detachable parts & optional parts	038	80 & 81
Decals	039	82 & 83
Suggested dealer parts kit for Sunmaster Headers	-	84
Customer spare parts kit	-	85
Index		86 - 93



1.1. Using the parts catalog
 The drawings indicate item numbers relevant descriptions, the part numbers, and number of parts for 8,-12,-16 row units respectively , so the parts going to be ordered can easily be identified.

1.2. How to order service parts
 Please give the following data on ordering parts :

- Production year of the header, if known
- Serial number of the header (from owners manual)
- Description, part numbers and quantity of ordered parts (from this manual)

Note: Please follow the above directions when ordering, it helps us send the correct part(s).

Information: The Sunmaster header was originally engineered in Europe, using the Metric system. The header is still primarily Metric, including the hardware. Below find two tables that compare the Metric system and the English system of grading bolts and screws. The last column of the Metric table has useful *equivalent* information comparing the two systems.

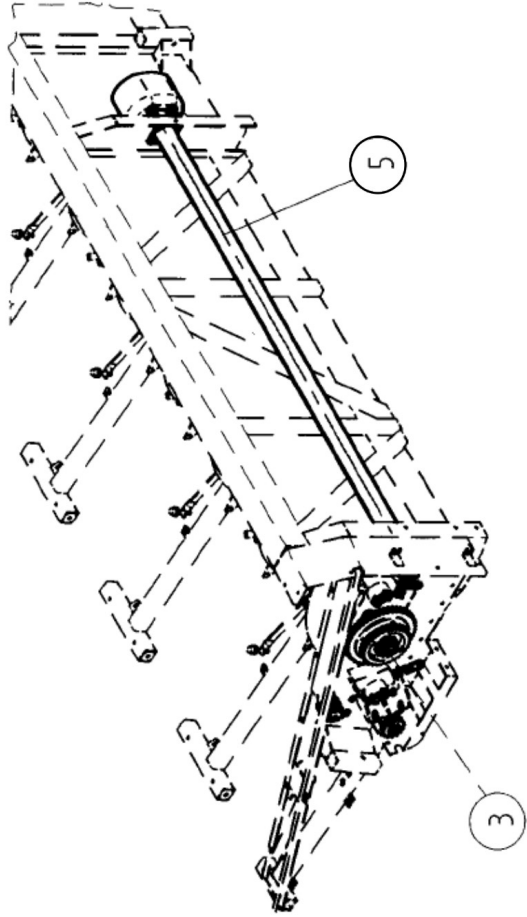
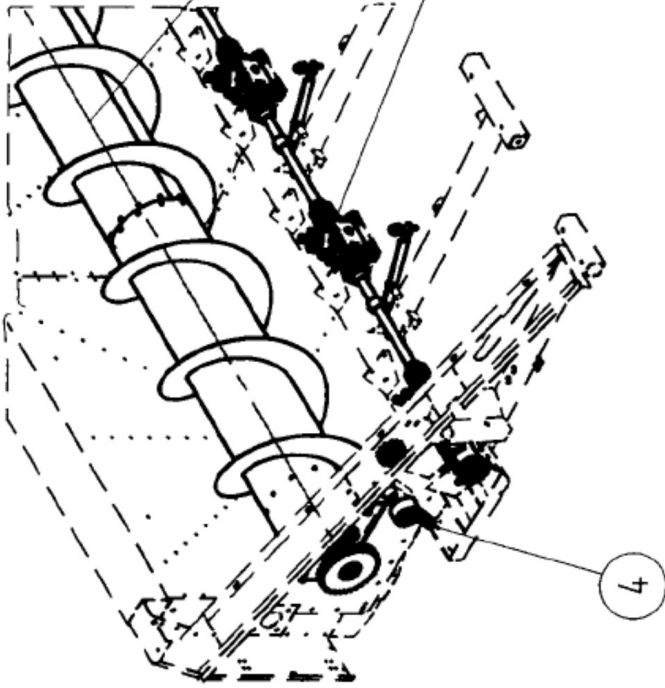
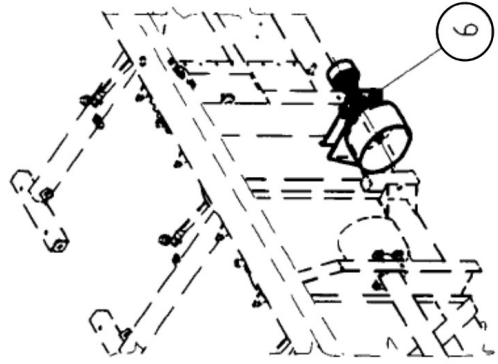
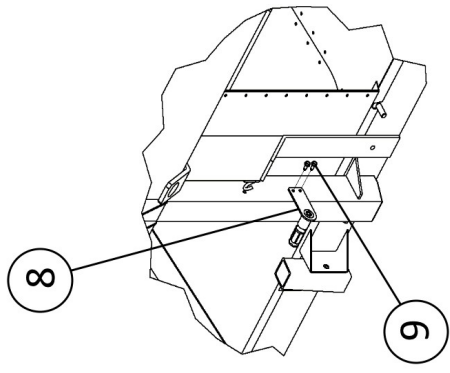
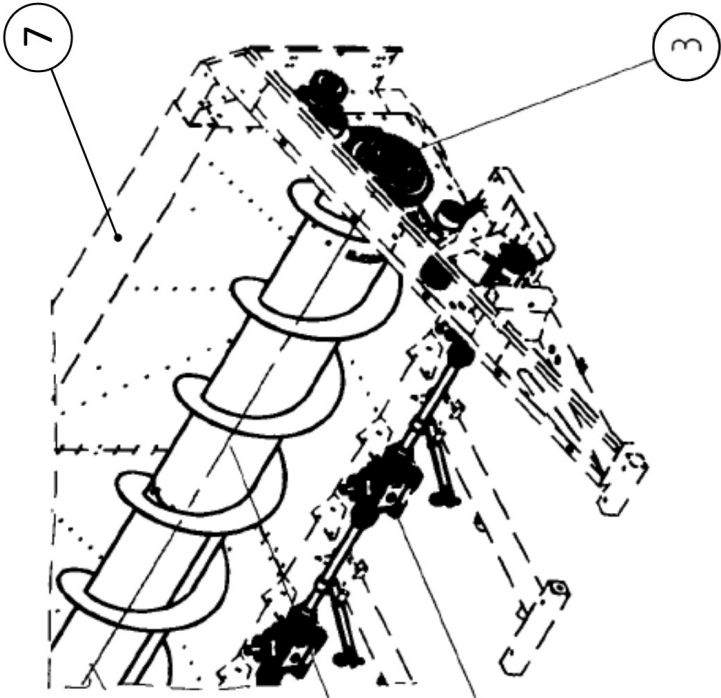
ISO Property Class Markings for Steel Metric Bolts and Screws				
Grade Marking	Specification	Size	Tensile Strength MPa	Equivalent To English Fasteners
4.6 4.8	Class 4.6	M5 & >	400	SAE Grade 1
	Class 4.6	up to M16	420	
5.8	Class 5.8	M5 to M24	520	SAE Grade 2
8.8	Class 8.8	up to M16	800	SAE Grade 5
		over M16	830	
10.9	Class 10.9	up to M36	1040	SAE Grade 8

Fig 1. Common strength grades for Metric fasteners.

Grade Designation	Material and Treatment	Tensile Strength ksi Min	Grade Identification Marking
SAE Gr. 2	low or medium carbon steel, cold worked	74	None Specified
SAE Gr. 5	medium carbon steel; the product is quenched and tempered	120 105	⋄
SAE Gr. 8	medium carbon alloy steel; the product is quenched and tempered	150	⋆

Fig 2. Common strength grades for English fasteners.

Because of it's European roots you may still find some terms or words in this manual that have been translated a little differently.



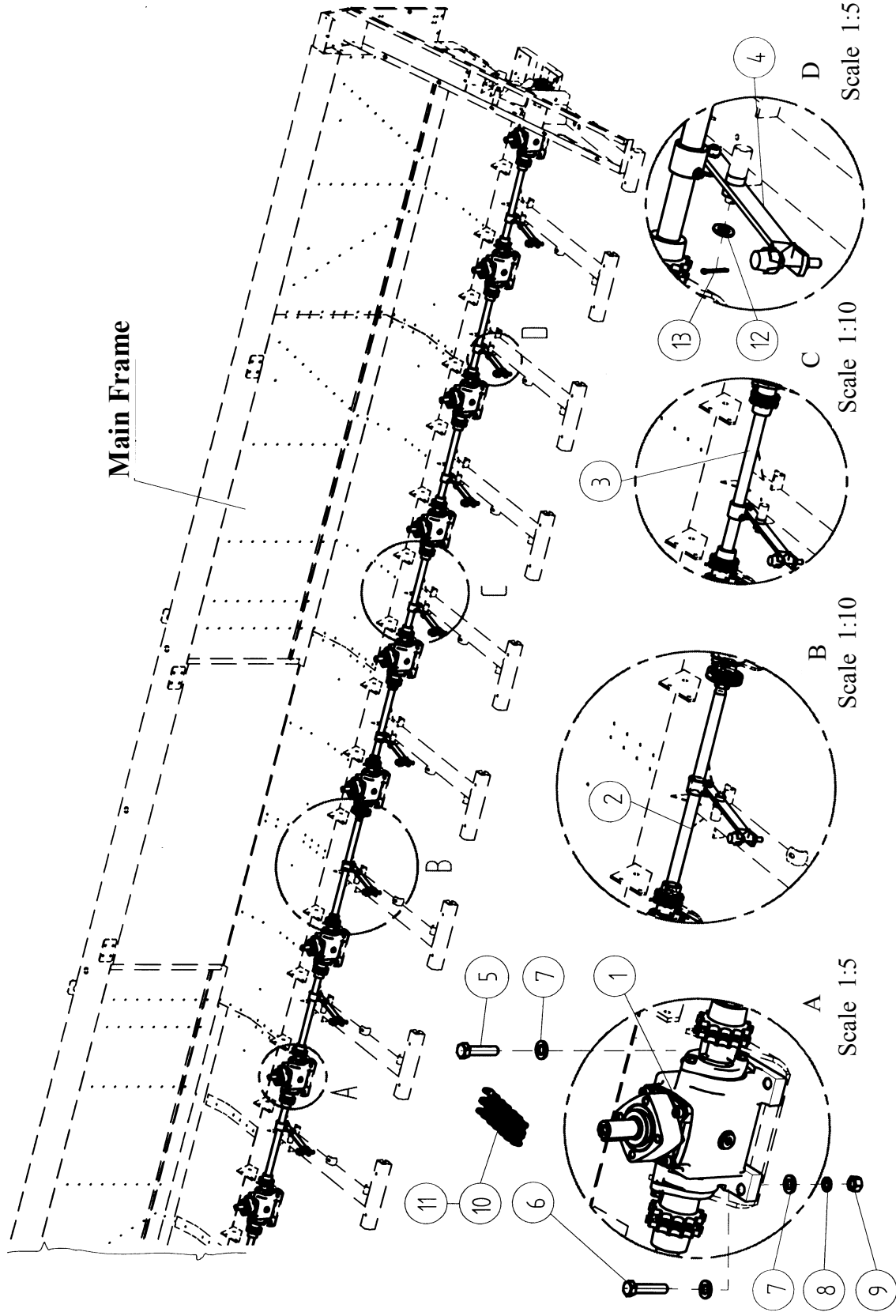
Major Component Systems

Major Component Systems

001

Item #	Description	Part #	Pieces per Header by model #				Remarks
			#1220	#1620	#1820	#2420	
1	Lower drive assy, 1220	01-015-770	1				
1	Lower drive assy, 1620	01-001-359		1			
1	Lower drive assy, 1820	01-001-360			1		
1	Lower drive assy, 2420	01-001-363				1	
2	Auger assy, Cross - 1220	01-001-953	1				
2	Auger assy, Cross - 1620	01-001-955		1			
2	Auger assy, Cross - 1820	01-001-956			1		
2	Auger assy, Cross, w/support - 2420	01-001-959				1	w/ Center bearing support
3	End drive assy, LH - 1220	01-001-833	1				
3	End drive assy, LH - Dbl - 1620, 18 & 24	01-024-073		1	1	1	
4	End drive assy, RH - Dbl - 1220	01-001-829	1				
4	End drive assy, RH - Dbl - 1620, 18 & 24	01-024-074		1	1	1	
5	Drive shaft assy, 1220	01-015-774	1				
5	Drive shaft assy, 1620	01-001-824		1			
5	Drive shaft assy, 1820	01-001-823			1		After Ser. No. M11650
5	Drive shaft assy, 2420	01-001-827				1	
6	JD - 9600 drive kit, axle support*	01-016-366	1	1	1		only for JD-9600 combine
7	Main frame welded, II - 1220	02-015-705	1				
7	Main frame welded, II - 1620	02-018-704		1			
7	Main frame welded, II - 1820	02-018-705			1		
7	Main frame welded, II - 2420	02-018-708				1	
	Kit, PTO holder	01-002-004	-	-	-	-	Kit, parts 8 & 9
8	Hanger w/a, PTO	12-004-090	1	2	2	2	
9	Screw, thd cutting, hex hd, 5/16 x 3/4	900-17615	2	4	4	4	

* See pages 42 & 43



Gearbox Assembly Drive Shaft (Middle) Transmission Shaft Arm Assembly

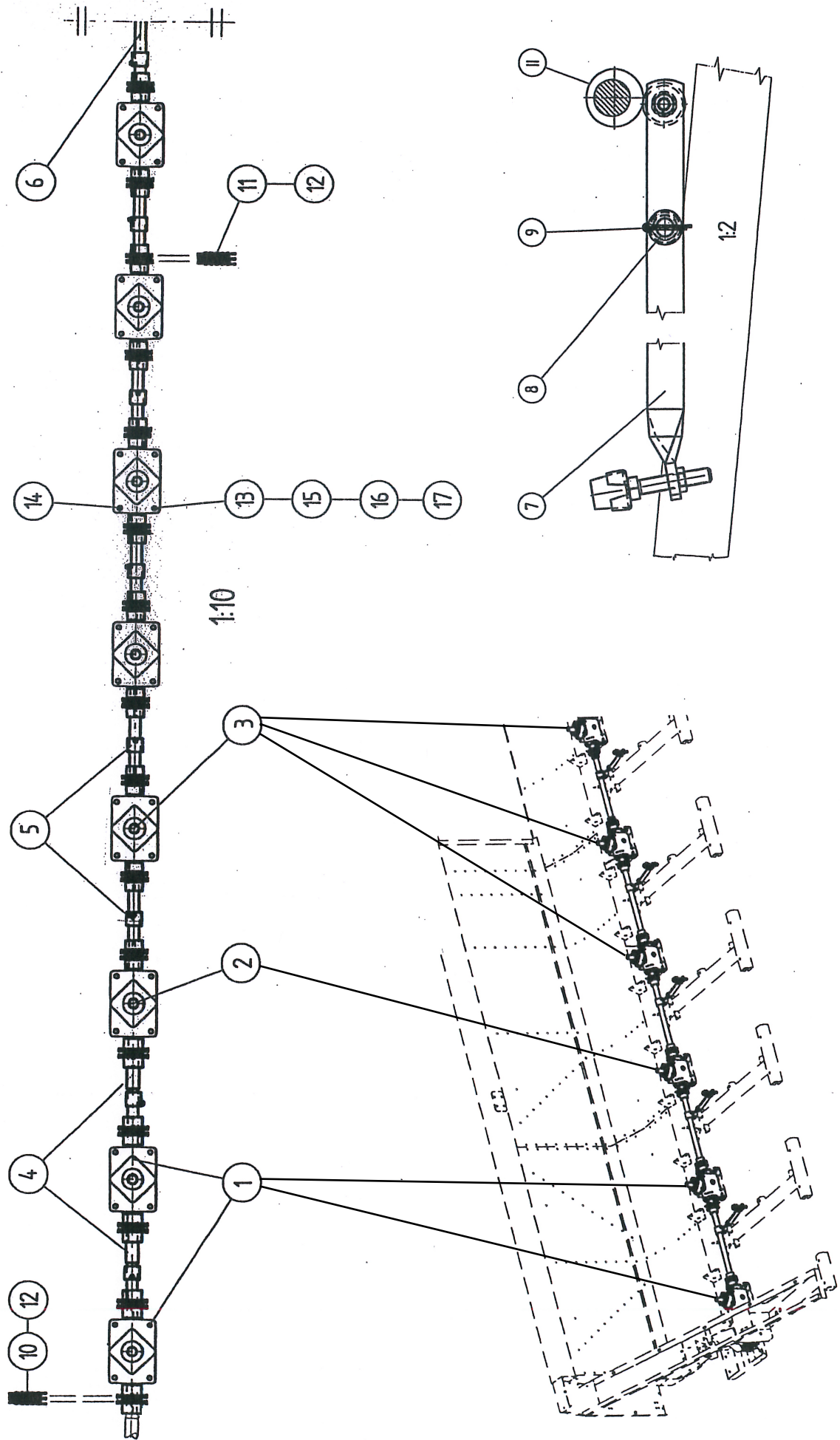
Lower Drive Assembly

002

Item #	Description	Part #	Pieces per header by model number				Remarks
			#1220	#1620	#1820	#2420	
	Lower drive assy, 1220	01-015-770	1				
	Lower drive assy, 1620	01-001-359		1			
	Lower drive assy, 1820	01-001-360			1		
	Lower drive assy, 2420	01-001-363				1	
1	Gearbox assy, inner	03-004-161	12	12	14	18	
	Gearbox assy, intermediate	03-024-079	0	0	0	0	also see pp 8,9,10&11
	Gearbox assy, outer	03-024-078	0	4	4	6	"
2	Drive shaft assy, center	01-018-369	1	1	1	1	
3	Lower transmission shaft assy, 20"	01-018-367	10	10	12	16	also see pp 8,9,10&11
	Outer transmission shaft, 20"	01-018-371	0	4	4	6	"
4	Arm assy	01-016-370	11	15	17	23	
5	Screw, hex hd cap, grade 8.8 *	M12x50	24	32	36	48	
6	Screw, hex hd cap, grade 8.8	M12x55	24	32	36	48	
7	Washer, flat	M12FW	48	60	72	96	
8	Washer, lock	M12LW	24	32	36	48	
9	Nut, hex, grade 8	M12HN	48	60	72	96	
10a	Chain, double roller	10B2-13	23	24	25	33	13 link, inner
10b	Chain, double roller	10B2-15	0	8	10	14	15 link, outer
11	Chain connector link	CL10B2	25	26	35	47	Double
12	Washer, flat	M14FW	11	15	17	23	
13	Cotter pin, 1/8 x 1"	900-23025 **	11	15	17	23	

* Grade 8.8 in the metric system is roughly equivalent to a SAE grade 5 in the English system

** Sheyenne Part No.



Gearbox arrangement detailed, 16, 18 & 24 row

003

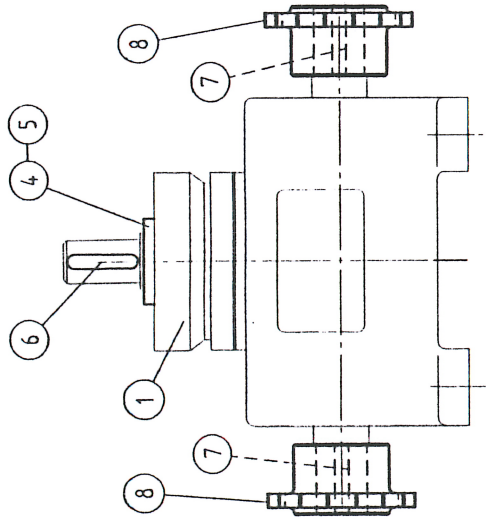
Item #	Description	Part #	Pieces per Header by model number				Remarks
			#1220 *	#1620	#1820	#2420	
1	Outer gear-box assy	03-024-078	*	4	4	6	***
2	Intermediate gearbox assy	03-024-079		0	0	0	****
3	Inner gearbox assy	03-004-161		12	14	18	
4	Outer transmission shaft, 20"	01-018-371		4	4	6	
5	Lower transmission shaft assy, 20"	01-018-367		10	12	16	
6	Drive shaft assy, center	01-018-369		1	1	1	
7	Arm assy	01-016-370		15	17	23	
8	Washer, flat	M14FW		15	17	23	
9	Cotter pin, 1/8 x 1"	900-23025 **		15	17	23	
10	Chain, double roller	10B2-15		8	10	14	15 link, outer
11	Chain, double roller	10B2-13		24	25	33	13 link, inner
12	Chain connector link	CL10B2		26	35	47	Double
13	Screw, hex hd cap, grade 8.8	M12x50		32	36	48	
14	Screw, hex hd cap, grade 8.8	M12x55		32	36	48	
15	Washer, flat	M12FW		60	72	96	
16	Washer, lock	M12LW		32	36	48	
17	Nut, hex	M12HN		60	72	96	

* For model 1220 see pp 6 & 7

** Sheyenne Part No.

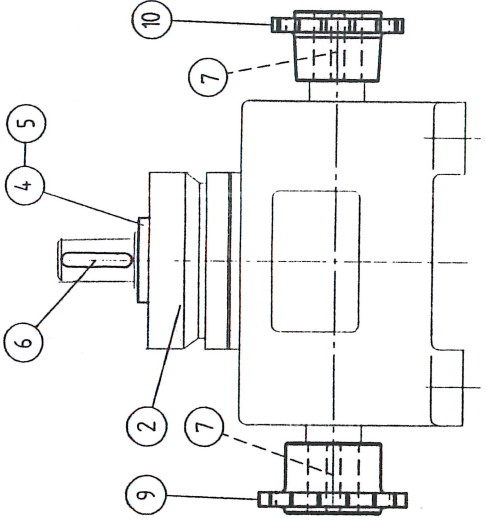
*** Gearbox sizes and shaft diameters vary. Inner boxes and shafts carry more torque load.

**** Part number not currently used



Outer Gearbox

03-024-078

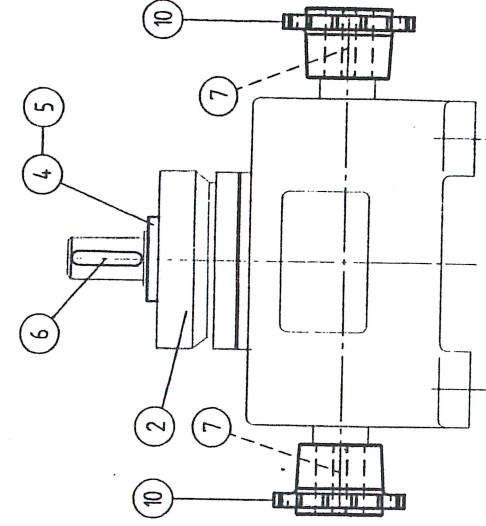


Intermediate Gearbox

03-024-079

This gearbox is the same as 03-004-161 (to the right) with one exception, the sprocket on the left side changes.

Part number used only by our European counterparts



Inner Gearbox

03-004-161

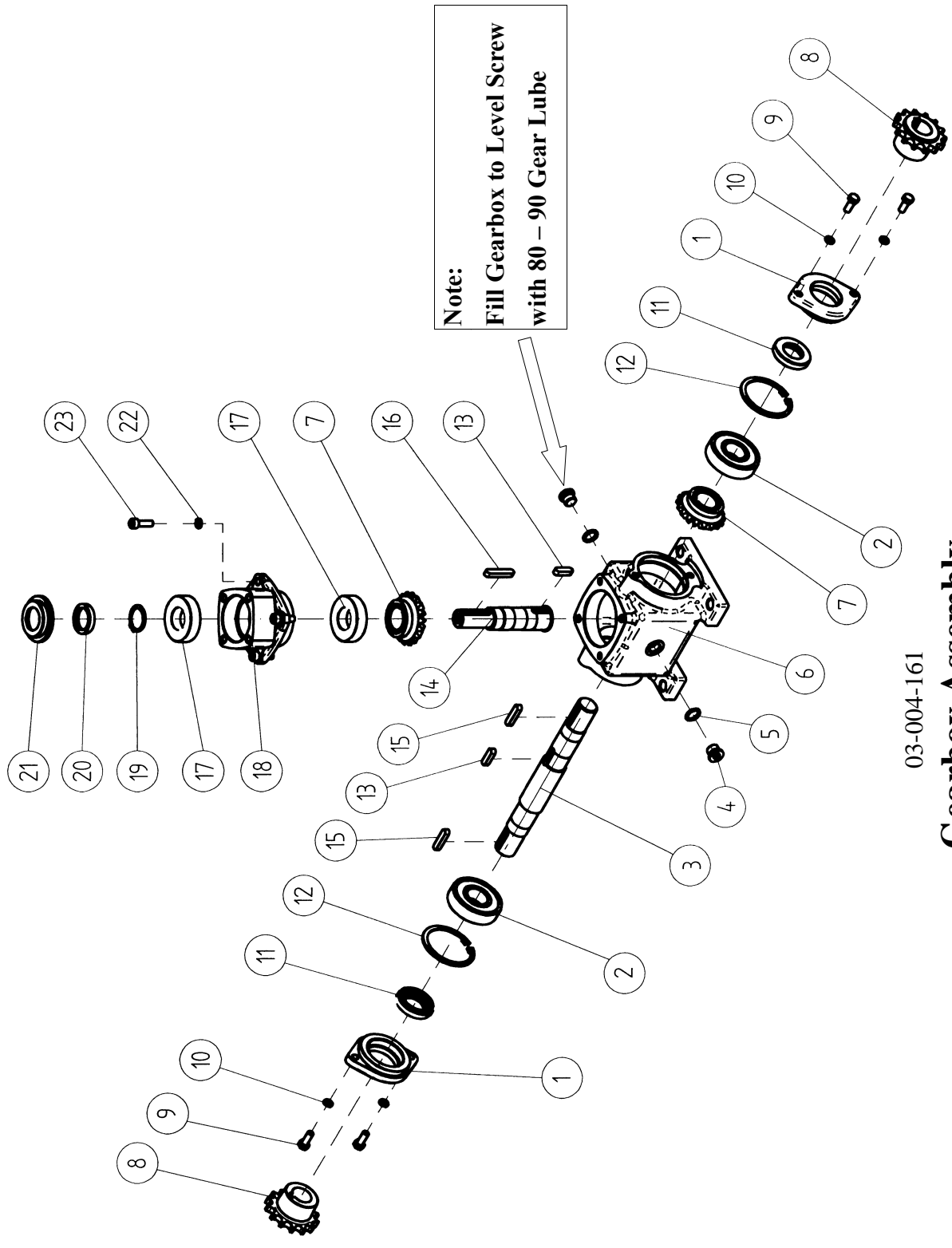
Sprockets, Shafts & Gearboxes

Sprockets, Shafts & Gearboxes

004

Item #	Description	Part #	Pieces per Header by model numbers				Remarks
			#1220	#1620	#1820	#2420	
	Outer gearbox assy (with sprockets)	03-024-078	0	4	4	6	
	Intermediate gearbox assy (" ")	03-024-079	0	0	0	0	Inactive part number
	Inner gearbox assy (with sprockets)	03-004-161	12	12	14	18	
1	Outer gearbox assy (w/out sprockets)	03-024-081	0	0	0	0	" " "
2	Gearbox assembly (w/out sprockets)	2-600-232	sp*	sp	sp	sp	See note *
3	<i>No item on drawing</i>						
4	Cover, seal	13-016-496	"	"	"	"	" "
5	Seal	Z30x40x7	"	"	"	"	" "
6	Shaft, 8x7x45	30-004-227	"	"	"	"	" "
7	Shaft, 8x7x36	30-004-225	"	"	"	"	" "
	Shaft, 29,5 diameter	30-024-083	0	0	0	0	Inactive part number
	Sprocket, 16 tooth	24-024-082	-	-	-	-	EU part no.
8	Sprocket, 16 tooth	24-024-082W	sp	sp	sp	sp	See note *
	Sprocket, 16 tooth	24-024-084	-	-	-	-	EU part no.
9	Sprocket, 16 tooth	24-024-084W	0	0	0	0	Inactive part number
	Sprocket, 14 tooth	24-005-881	-	-	-	-	EU part no.
10	Sprocket, 14 tooth	24-005-881W	sp	sp	sp	sp	See note *

* Service part. Limited availability



03-004-161

Gearbox Assembly

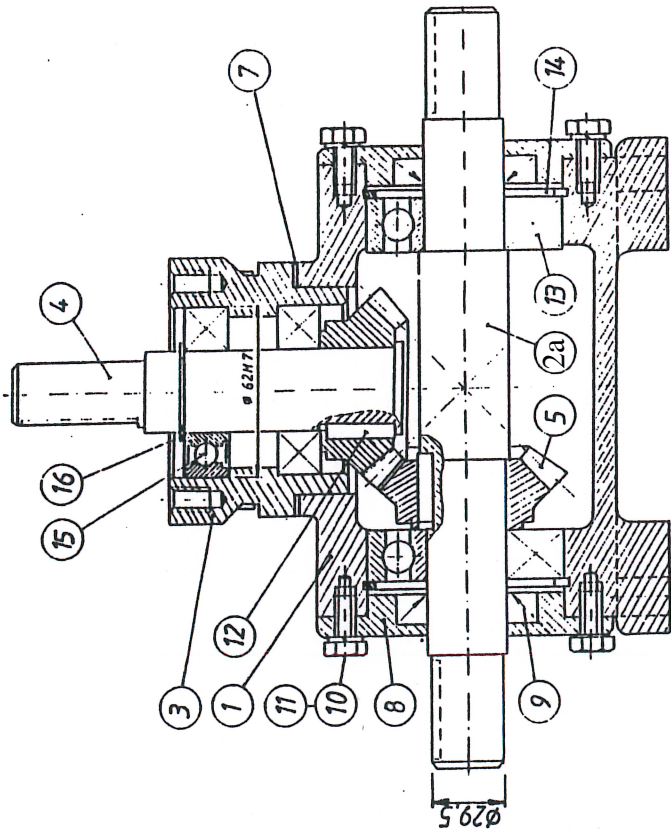
Gearbox, exploded view, list

03-004-161

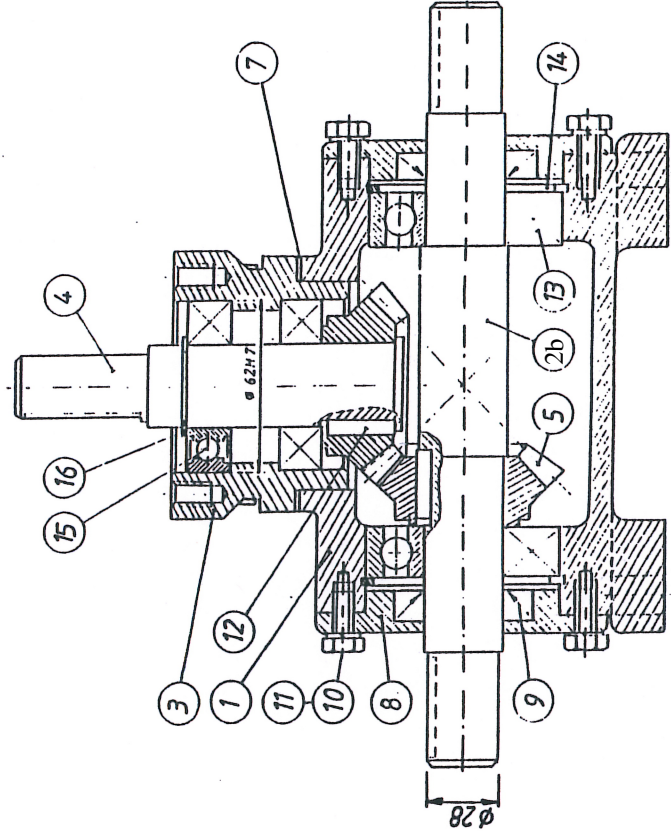
005

Item #	Description	Part #	Pieces per header by model number				Remarks
			#1220	#1620	#1820	#2420	
	Gearbox Assembly, Inner	03-004-161	12	12	14	18	See note*
			Pieces per individual unit				
1	Cover (housing), shaft	41-016-820	2	2	2	2	
2	Bearing, deep groove, ball	6306	2	2	2	2	SKF
3	Shaft, 1	30-004-225	1	1	1	1	
4	Oil level plug (screw)	M16x1.5	2	2	2	2	DIN 908
5	Washer, flat	M16FW	2	2	2	2	
6	Gearbox housing	40-004-224	1	1	1	1	
7	Gear, main drive, pinion, 18 tooth	22-004-228	2	2	2	2	
	Sprocket, 14 tooth	24-005-881	-	-	-	-	EU part no.
8	Sprocket, 14 tooth	24-005-881W	2	2	2	2	
9	Screw, hex cap, flt hd, grade 8.8	M8x20	4	4	4	4	
10	Washer, lock	M8LW	4	4	4	4	
11	Ring, spring - gasket	Y30x52x10	2	2	2	2	
12	Ring, fastener (snap)	72MSZ231	2	2	2	2	
13	Key, flat, round end - 8x7x25mm	34-004-235	2	2	2	2	
14	Shaft, gearbox - vertical	30-004-227	1	1	1	1	Old P/N 2-600-243/3
15	Key, flat, round end - 8x7x36mm	34-004-214	2	2	2	2	
16	Key, 8x7x45mm	34-004-183	1	1	1	1	
	Bearing, deep groove, ball	6206-2RS1	-	-	-	-	EU part number
17	Bearing, deep groove, ball	6206-2RSR	2	2	2	2	SKF
18	Gearbox (housing) cover	40-004-226	1	1	1	1	
19	Ring, snap	30MSZ232	1	1	1	1	
20	Seal	Z30x40x7	1	1	1	1	
21	Cover, seal	13-016-496	1	1	1	1	

* The 12 row header has all (12) gearboxes this size. The others have heavier outer gearboxes, part number 03-024-078. The quantities of, (12), (14) & (18) for the other headers, reflects the mix of inner and outer gearboxes.



03-024-078 Outer gearbox



03-024-079 Intermediate gearbox
03-004-161 Inner gearbox

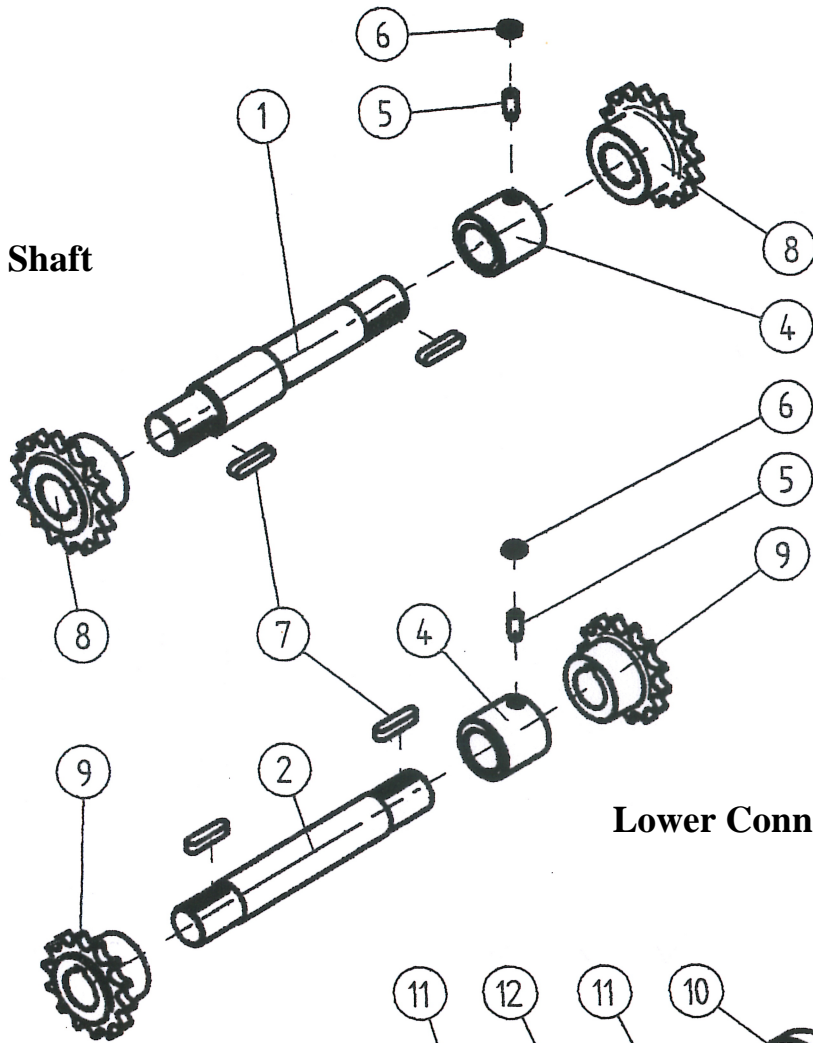
Gearbox cross - sections

Gearbox cross-section

006

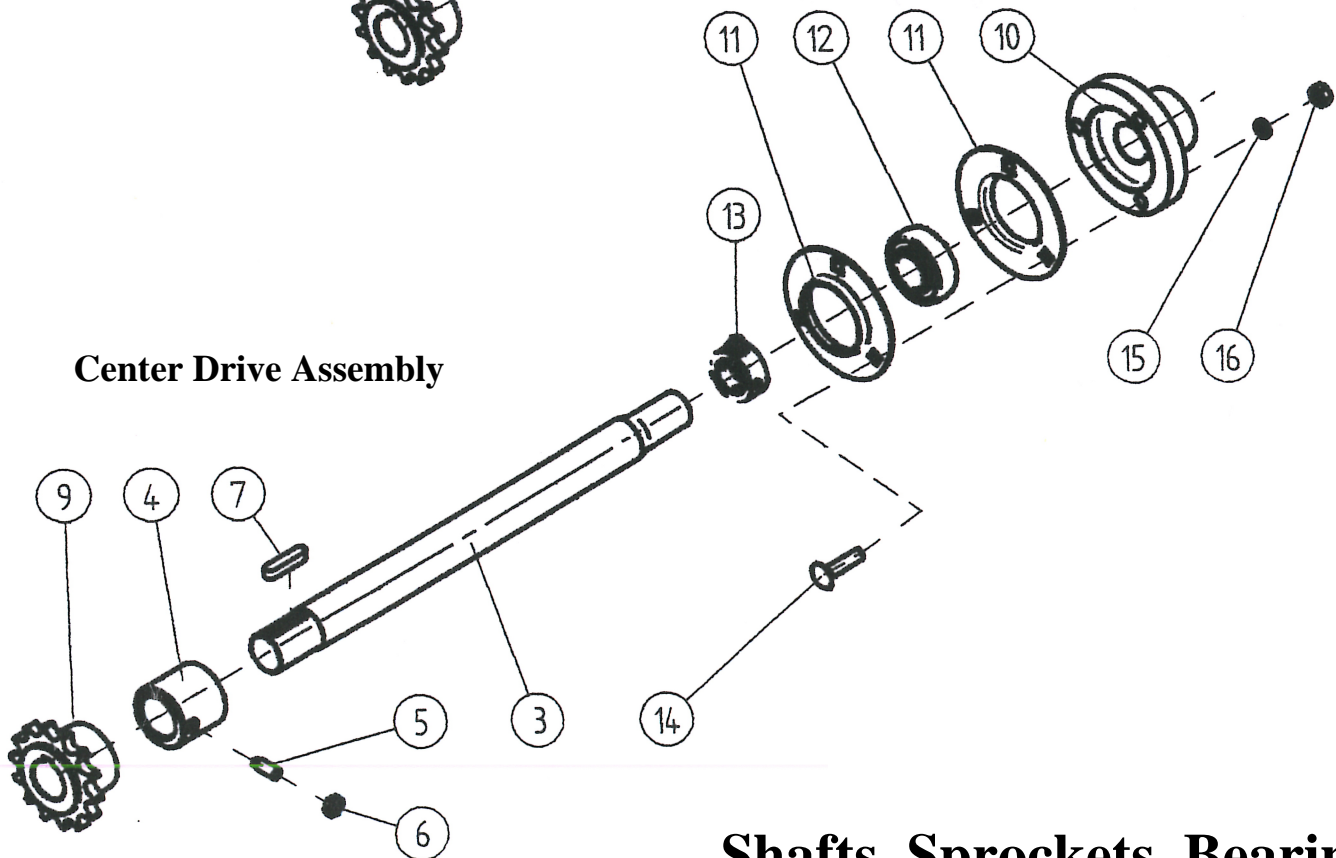
Item #	Description	Part #	Pieces per Gearbox				Remarks
			#1220	#1620	#1820	#2420	
	Gearbox assembly, (w/out sprockets)	03-024-081	-	-	-	-	Inactive part no. (on left)
	Gearbox assembly, (w/out sprockets)	2-600-232					Smaller shaft (on right)
			Pieces per individual gearbox				
1	Case, gearbox	2-600-238	1	1	1	1	
2a	Shaft, gearbox - horizontal	30-024-083	0	1	1	1	29,5 Diameter (metric)
2b	Shaft, gearbox - horizontal	2-600-239	1	1	1	1	28 Diameter (metric)
3	Cover, gearbox	2-600-242	1	1	1	1	STAM 40-004-226
4	Shaft, gearbox - vertical	30-004-227	1	1	1	1	WWP 2-600-243/3
5	Gear, main drive - pinion - 18 tooth	2-600-244	2	2	2	2	
6	Cover <i>(No item on drawing)</i>	2-600-251					
7	Gasket, gearbox cover	63-016-371	1	1	1	1	
8	Housing, shaft	41-016-820	2	2	2	2	
9	Gasket, gearbox	Y30x52x10	3	3	3	3	Seal
10	Bolt, hex	M8x20	4	4	4	4	
11	Washer, lock	M8LW	4	4	4	4	
12	Key, flat - round end - 8x7x25	34-004-235	2	2	2	2	
13	Bearing, ball - deep groove	6306	2	2	2	2	
14	Ring, fastener (snap)	72MSZ231	2	2	2	2	
15	Bearing, ball - deep groove	6206-2RS1	2	2	2	2	
16	Ring, snap	30MSZ232	1	1	1	1	

Outer Drive Shaft



Lower Connector Shaft

Center Drive Assembly

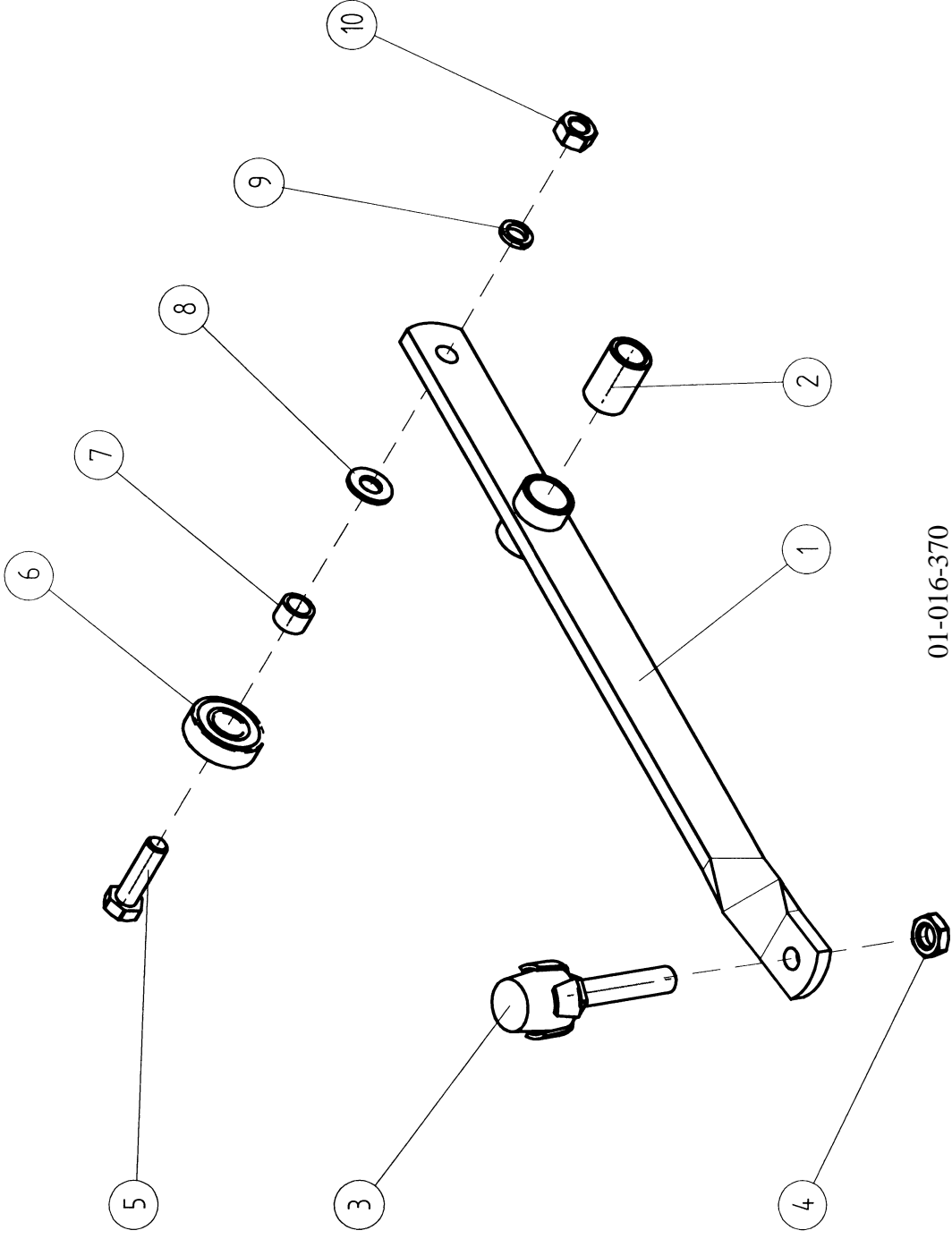


**Shafts, Sprockets, Bearings,
Keys, Hubs & Hardware**

Shafts, sprockets, bearings, keys, hubs & hardware

007

Item #	Description	Part #	Pieces per Header by model #					Remarks
			#1220	#1620	#1820	#2420		
1	Shaft, outer drive - 20"	30-024-085	0	4	4	6		
2	Shaft, 20" row	30-015-778	10	10	12	16		
3	Shaft, center - 20"	30-015-780	1	1	1	1		
4	Eccentric ring	29-005-781	11	15	17	23		
5	Set screw, 8mm x 20mm	M8x20SS	11	15	17	23		
6	Nut, low hex - 8mm x 1.25mm	M8x20LHN	11	15	17	23		
7	Key, flat - round end - 8x7x36mm	34-004-214	22	30	34	45		
	Sprocket weld, 10B, 16 tooth	24-024-082	-	-	-	-	EU part no.	
8	Sprocket weld, 10B, 16 tooth	24-024-082W	0	8	8	12		
	Sprocket, 14 tooth - connecting	24-005-881	-	-	-	-	EU part no.	
9	Sprocket, 14 tooth - connecting	24-005-881W	24	20	24	33		
10	Hub, bearing support	40-010-087	1	1	1	1		
11	Flangette, bearing - 3 hole	PF52	2	2	2	2		
12	Y bearing w/ lock collar & set screw	YT-205	1	1	1	1		
13	<i>Locking collar for above</i>	"	N/A	N/A	N/A	N/A		
14	Screw, hex cap - 8x35mm	M8x35	3	3	3	3		
15	Washer, lock - 8mm	M8LW	3	3	3	3		
16	Nut, hex	M8HN	3	3	3	3		



01-016-370

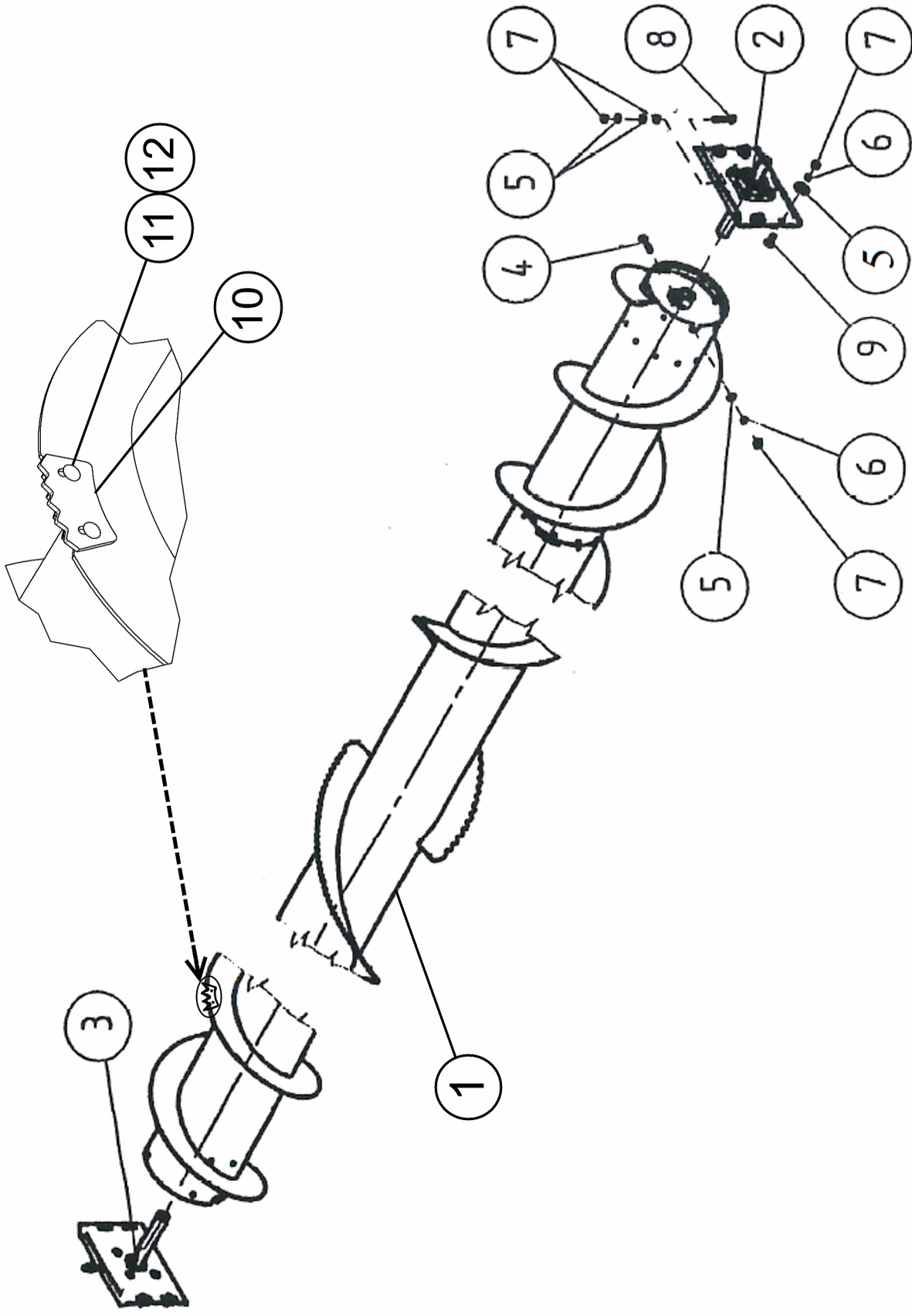
Arm Assembly

Arm Assembly

Part No. 01-016-370

008

Item #	Description	Part #	Pieces per header by model number				Remarks
			#1220	#1620	#1820	#2420	
	Arm Assembly	01-016-370	11	15	17	23	
			Pieces per individual unit				
1	Arm (vibration lever) welded	02-009-150	1	1	1	1	
2	Plastic bushing, PA6	69-009-152	1	1	1	1	
3	Set screw w/ rubber (mushroom) insert	01-016-350	1	1	1	1	
4	Nut, low (jam) hex	M12LHN	1	1	1	1	
5	Screw, hex hd cap, grade 8.8	M10x35	1	1	1	1	
6	Bearing, ball - deep groove	6202-2RS1	1	1	1	1	SKF
7	Spacer, bearing	31-009-159	1	1	1	1	
8	Washer, flat	M10FW	1	1	1	1	
9	Washer, lock	M10LW	1	1	1	1	
10	Nut, hex, M10-1.5, plated	M10HN	1	1	1	1	



Cross Auger Mounting

Cross Auger Mounting

009

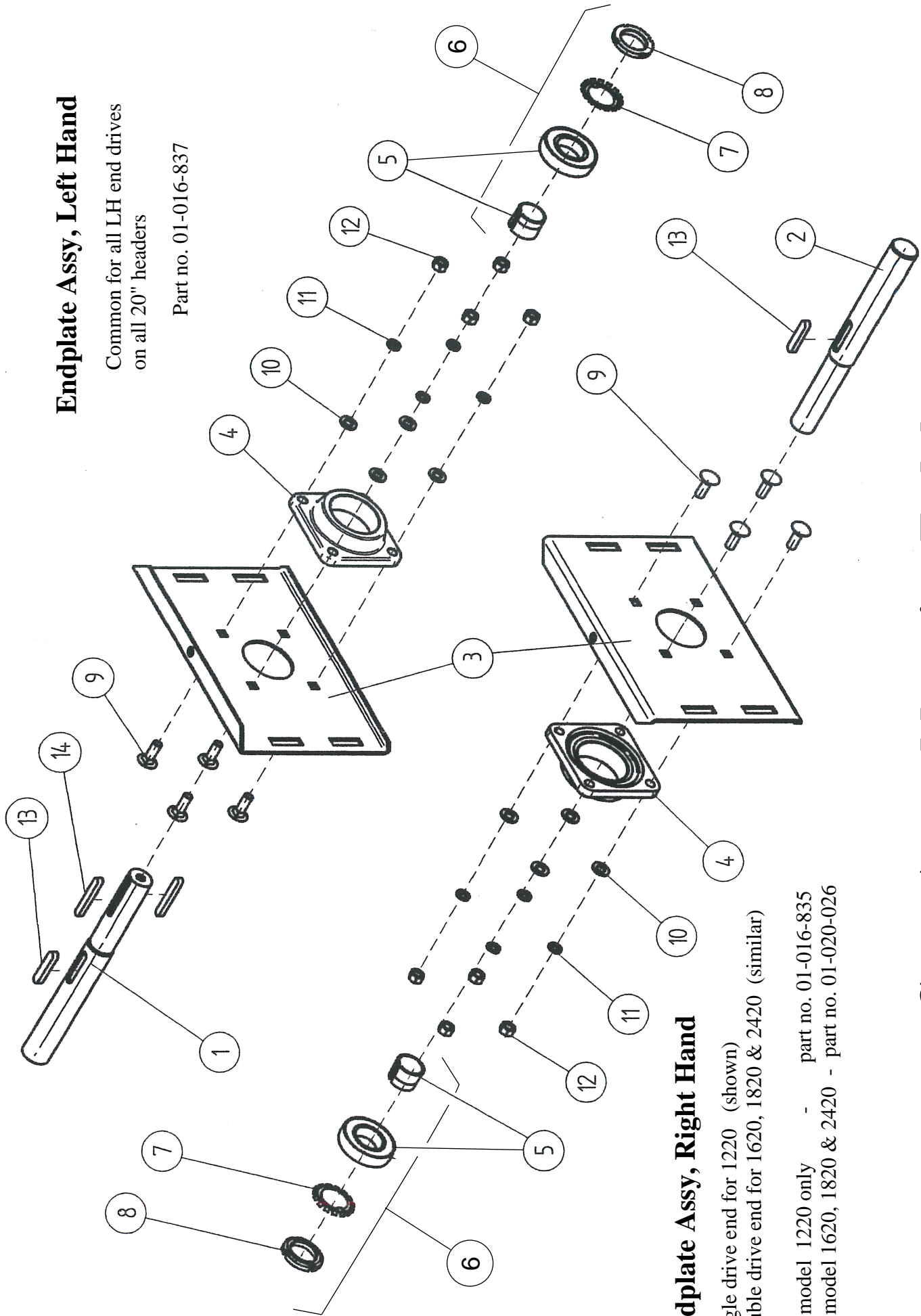
Item #	Description	Part #	Pieces per Header by model number				Remarks
			#1220	#1620	#1820	#2420	
1	Auger tube wldmt, 1220	02-015-930	1				
1	Auger tube wldmt, 1620	02-018-978		1			
1	Auger tube wldmt, 1820	02-018-979			1		
1	Auger assy, w/ center support	01-001-959				1	See pages 24 & 25
2	Endplate assy, LH, common	01-016-837	1	1	1	1	
3	Endplate assy, RH, single drive	01-016-835	1	0	0	0	
3	Endplate assy, RH, double drive	01-020-026	0	1	1	1	
4	Screw, hex cap 12x55mm	M12x55	2	2	2	2	
5	Washer, flat	M12FW	14	14	14	14	
6	Washer, lock	M12LW	18	18	18	18	
7	Nut, hex	M12HN	22	22	22	22	
8	Bolt, carriage	M12x35CB	8	8	8	8	
9	Screw, hex cap - full thread	M12x70	2	2	2	2	
10	Paddle, feed - adjustable	17-016-901	0	14	16	22	Optional feature for 12 row
11	Bolt, carriage, 3/8NC x 1", Gr5	900-01695	0	28	32	44	
12	Nut, hex flange, toplock, 3/8NC	900-06530	0	28	32	44	

For details of endplate sub-assemblies - LH & RH, see next two pages

Endplate Assy, Left Hand

Common for all LH end drives
on all 20" headers

Part no. 01-016-837



Endplate Assy, Right Hand

Single drive end for 1220 (shown)

Double drive end for 1620, 1820 & 2420 (similar)

For model 1220 only - part no. 01-016-835

For model 1620, 1820 & 2420 - part no. 01-020-026

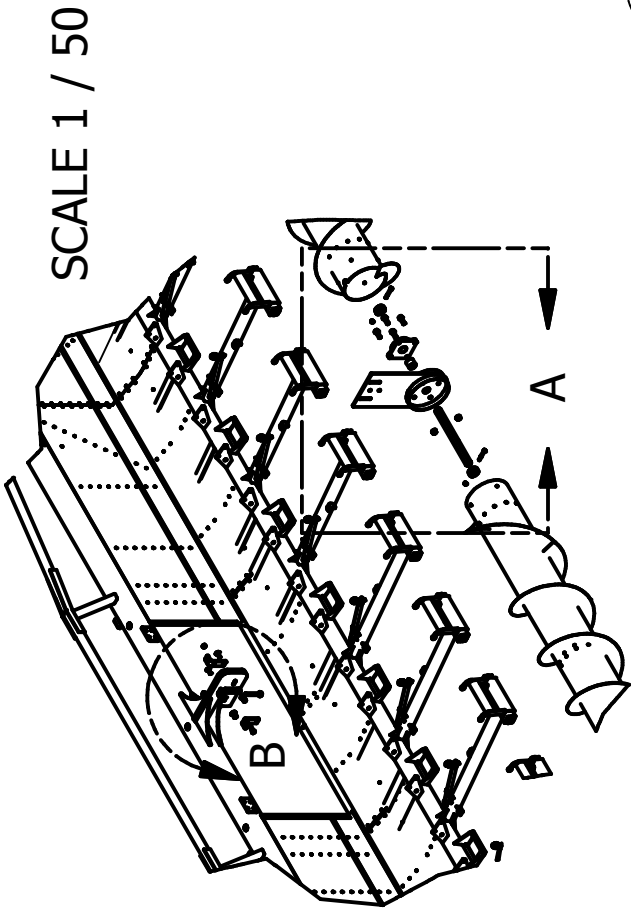
Cross Auger Mounting Endplates

Endplate assy, cross auger

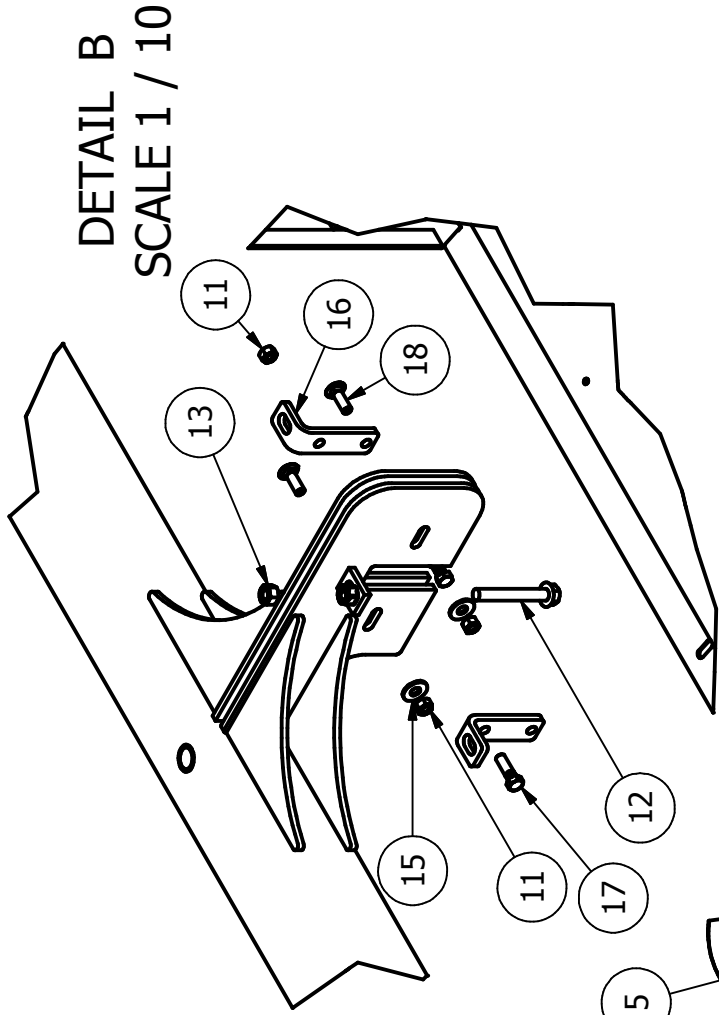
010

Item #	Description	Part #	Pieces per Header by model number				Remarks
			#1220	#1620	#1820	#2420	
	Endplate assy - LH	01-016-837	1	1	1	1	Common, LH drive
	Endplate assy - RH	01-016-835	1	0	0	0	Single drive end, 1220
	Endplate assy - RH	01-020-026	0	1	1	1	Double drive, 16, 18 & 2420
1	Shaft, sprocket - LH	30-016-841	1	1	1	1	LH end
2	Shaft, sprocket - RH	30-016-839	1	0	0	0	Single drive end
2	Shaft, sprocket - RH	30-020-027	0	1	1	1	Double drive
3	Plate, mounting - cross auger	14-010-093	2	2	2	2	Common
4	Housing, Y-Bearing - cast	FY-508	2	2	2	2	"
5	Y bearing w/ tapered bushing	H208	2	2	2	2	" (in item 6)
6	Y-ball bearing assy	17262082RSR	2	2	2	2	"
7	Washer, lock-1 int tab-13 ext	MB8	2	2	2	2	" (in item 6)
8	Nut, round - M40x1.5 x 9mm*	KM8	2	2	2	2	" (in item 6)
9	Carriage bolt	M12x35CB	8	8	8	8	"
10	Washer, flat	M12FW	8	8	8	8	"
11	Washer, lock	M12LW	8	8	8	8	"
12	Nut, hex	M12HN	8	8	8	8	"
13	Key, flat, rnd end - 12x8x56mm	34-004-168	2	2	2	2	"
14	Key, flat, rnd end - 10x8x70mm	34-010-112	2	4	4	4	"

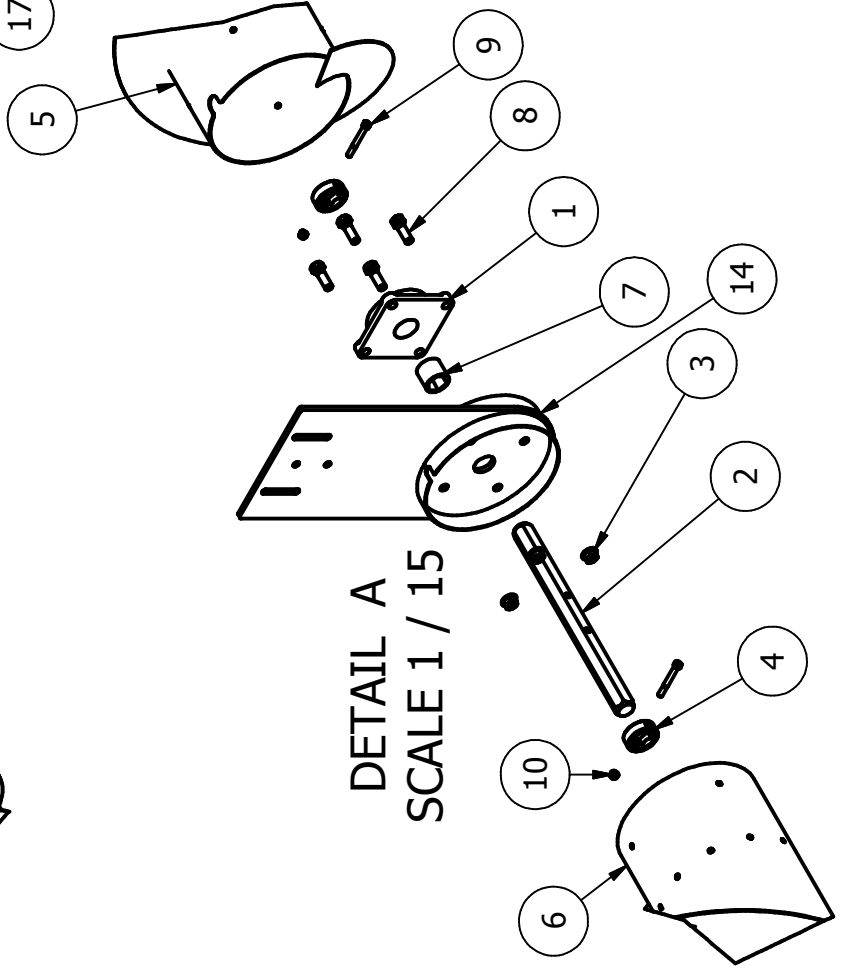
* 9mm = .354 inches



SCALE 1 / 50



DETAIL B
SCALE 1 / 10



DETAIL A
SCALE 1 / 15

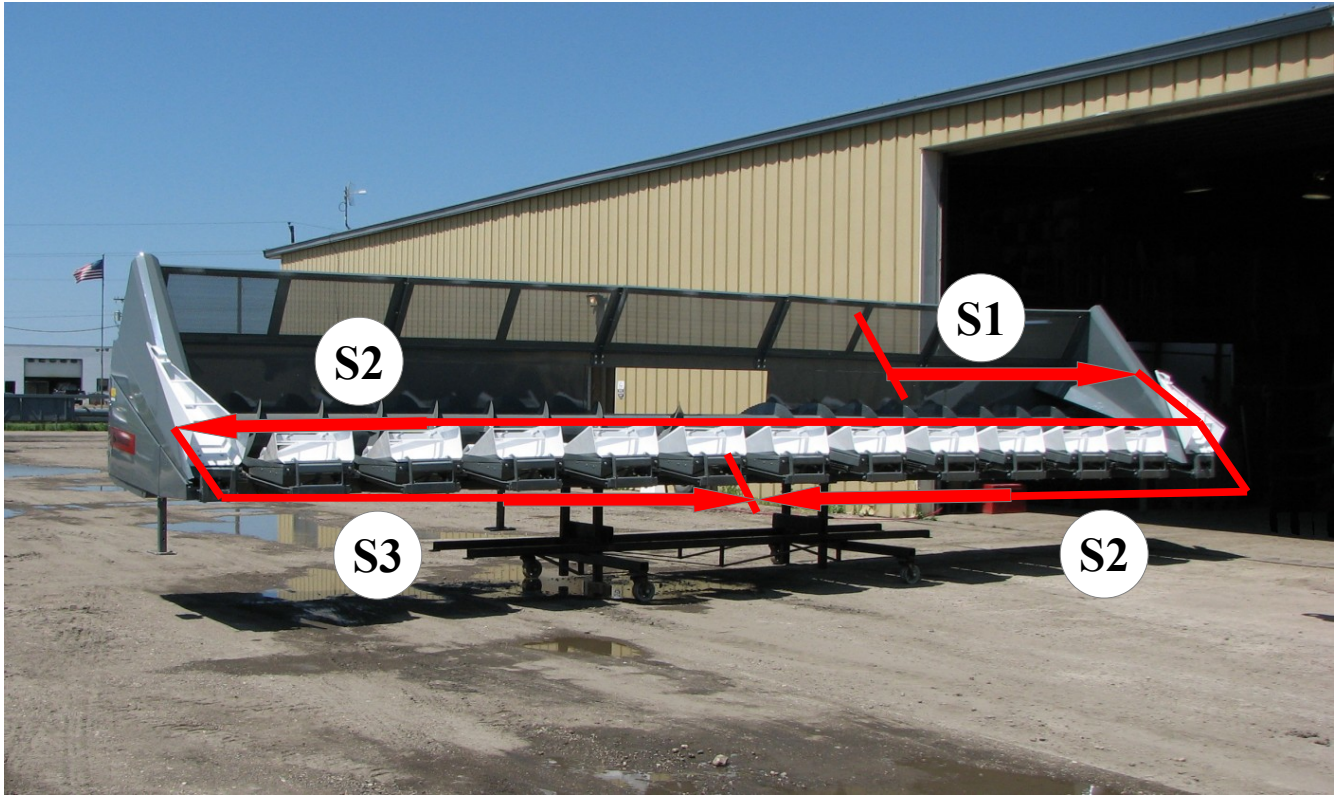
01-001-959

Center Support
Cross Augers, Left & Right
2420 Model

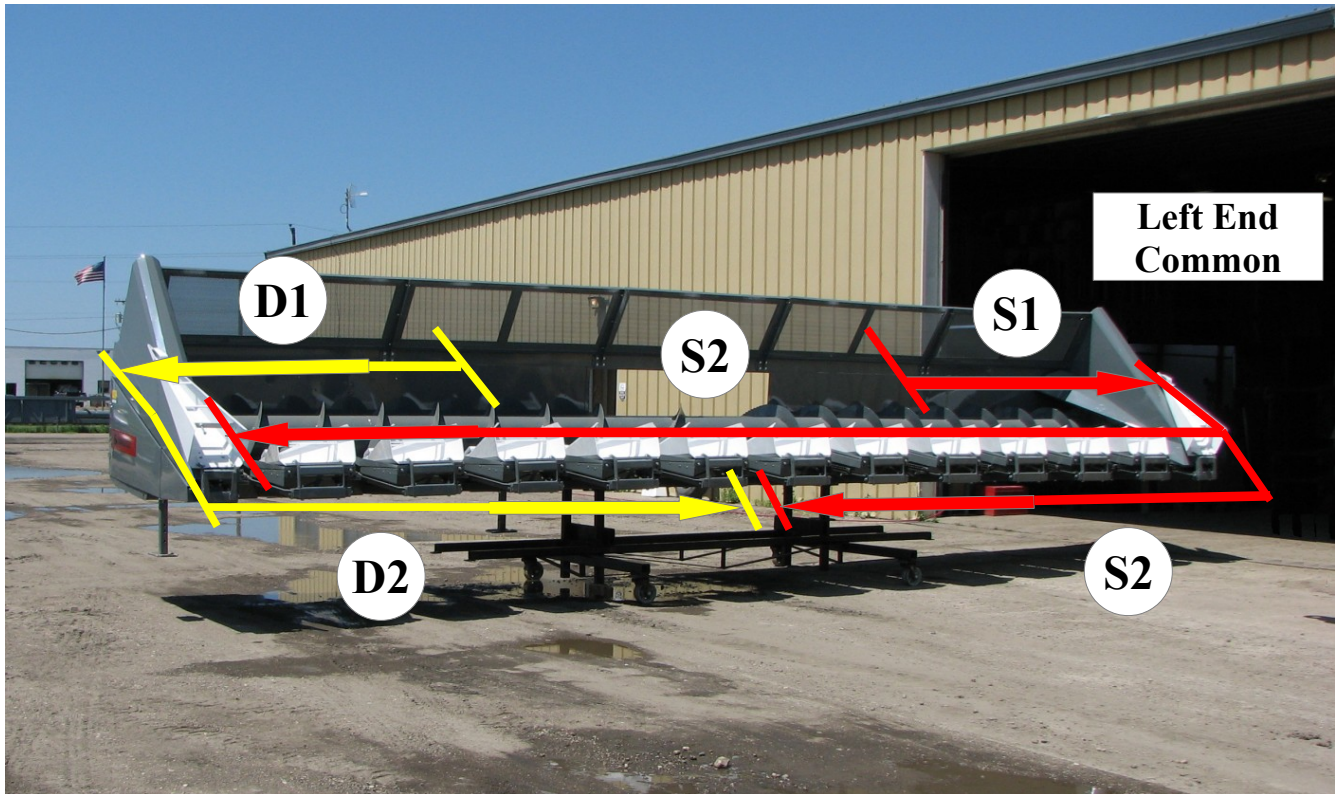
Center Support, 2 Cross Augers - 01-001-959

011

Item #	Description	Part #	Pieces per header by model number			Remarks	
			#1220	#1620	#1820		#2420
	Center support, auger - 2420	01-001-959	0	0	0	1	
			Pieces per individual unit				
1	Bearing, 4 bolt flange - 2B	610-0-0006	0	0	0	1	Vendor - UCF211-32
2	Shaft, connecting - hex - 1-1/2	30-020-029	0	0	0	1	
3	Nut, flange - serrated - 5/8NC	900-06145	0	0	0	4	
4	Collar, locking - hex	02-009-188	0	0	0	2	
5	Auger, LH - supporting cntr brg	02-018-984	0	0	0	1	
6	Auger, RH - supporting cntr brg	02-018-985	0	0	0	1	
7	Bushing, hex - 13" auger	100-3-4208	0	0	0	1	
8	Bolt, 5/8 x 2 - hex - Gr 5	900-01345	0	0	0	4	
9	Bolt, 3/8 x 3-1/4 - hex - Gr5	900-01127	0	0	0	2	
10	Nut, 3/8UNC - toplock - hex	900-06500	0	0	0	2	
11	Nut, 1/2UNC - toplock - ZP	900-06504	0	0	0	4	
12	Rod weldment, take-up	02-016-301	0	0	0	1	
13	Nut, 5/8UNC - hex - ZP	900-06013	0	0	0	3	
14	Bearing retainer weldment	02-016-300	0	0	0	1	After serial no. 11706
15	Washer, 1/2 - flat	900-11035	0	0	0	2	
16	Anchor, take-up	13-011-302	0	0	0	2	
17	Bolt, 1/2 x 1-3/4 - G5	900-01227	0	0	0	2	
18	Bolt, 1/2 x 1-1/2 - carriage - Gr5	900-01751	0	0	0	2	



Single Drive
1220 Row Header



Double Drive
1620, 1820 & 2420 Row Headers

The Two Drive Systems Defined

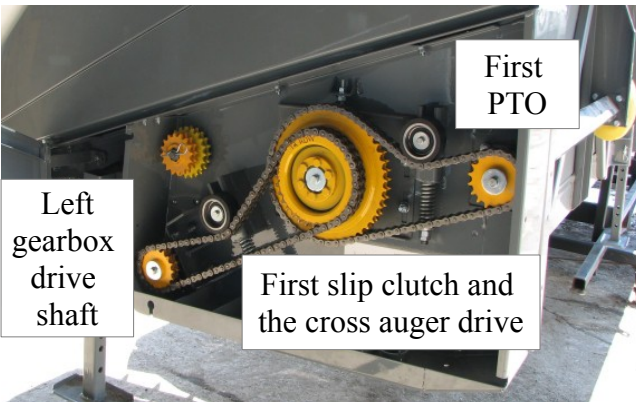
Single drive - S1

Single drive, as seen in the upper picture on page 26, has one PTO hook-up on the left side, **S1** and the **red** arrow below. It has only one slip clutch with varying quantities of spring plates. It has a sprocket drive on the right side for the right hand half of the lower gearboxes.



Left side PTO drive hook-up

Inside the left shield you will see the chains and sprockets that drive the cross auger **S2** and the left half of the lower or gearbox drive shafts, **S2**. See picture below and upper picture on page 26.



Left side drive

This side is common (except for quantity of spring plates) to both single and double drives.

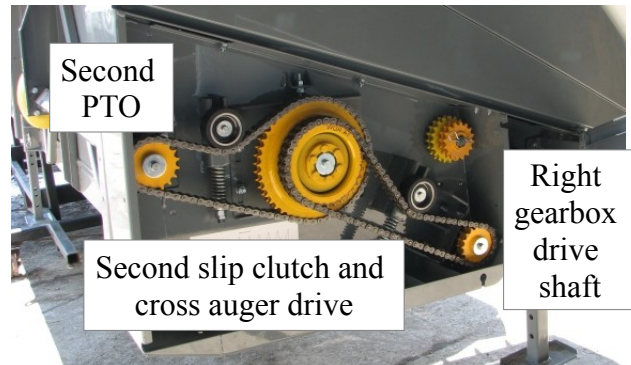
The next picture on this page is of the right hand end of the single drive, driving the right half of the gearboxes, **S3**.



Right side, single drive

Double drive – D1

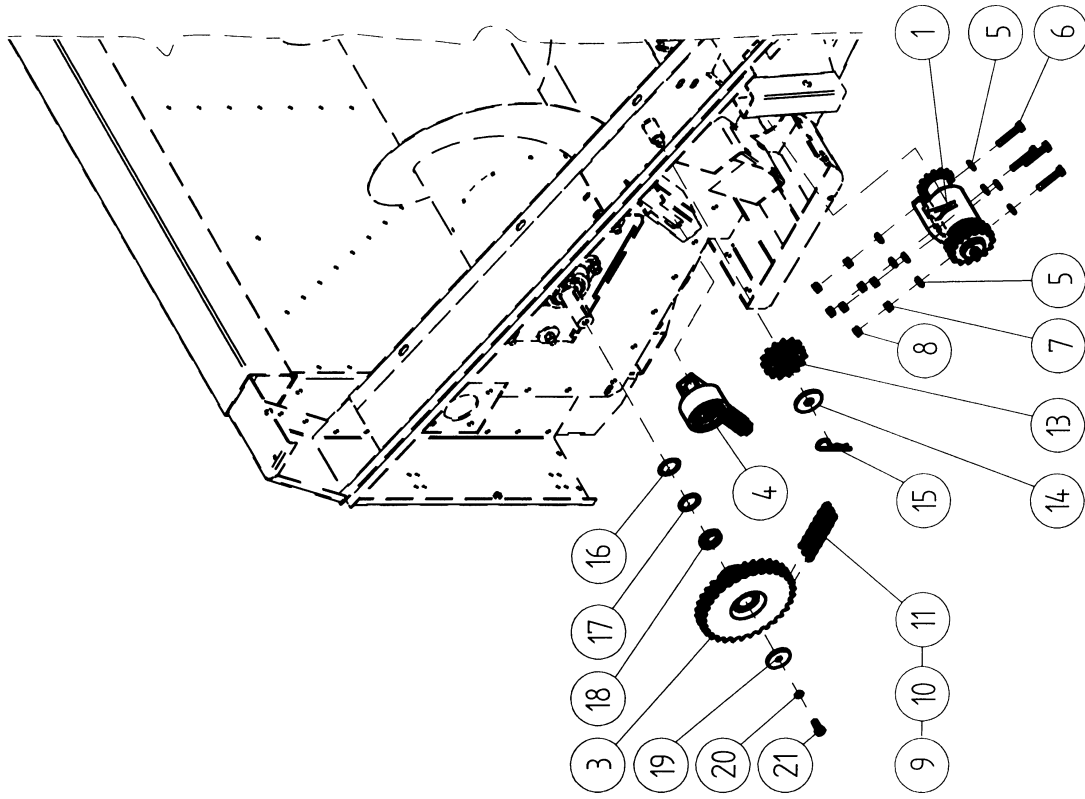
The double drive, as the name implies, has **two** PTO input drive shafts and **two** slip clutches. One PTO on each side of the feeder housing opening, **S1** and **D1** and slip clutches on **both** ends. The right end will look much like the left end, but with an two unseen differences. See picture below and the lower picture on page 26.



Right side, double drive

The differences are stated in the larger text box above. The double drive splits the torque load on the left side drive. See the yellow arrows in the lower picture on page 26. **D2** pulls off half of the gearbox load.

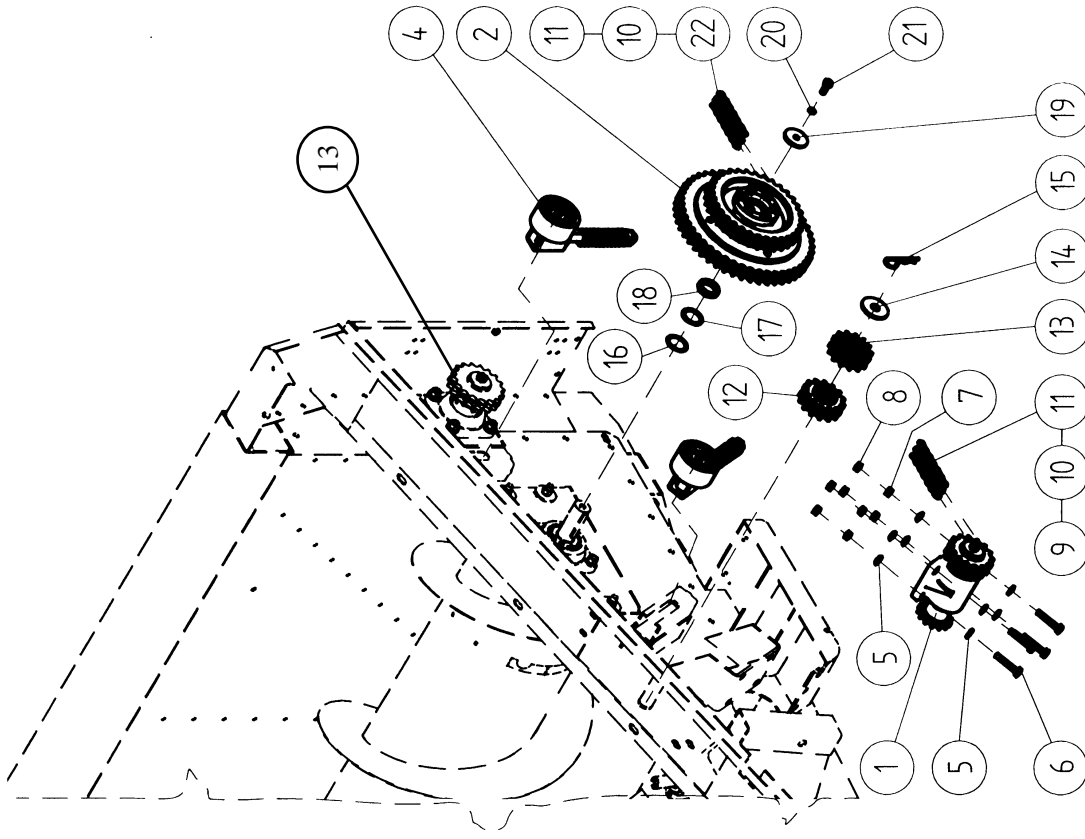
The quantity of spring plates in the clutches and the pressure settings vary with the row size and the load each clutch is expected to carry. The next 10 or 12 pages in this book will have the recommended slip clutch settings in the remarks column.



Drive Assembly (R.H.)

Single drive for 1220

01-001-829



Drive Assembly (L.H.)

Drive for 1220

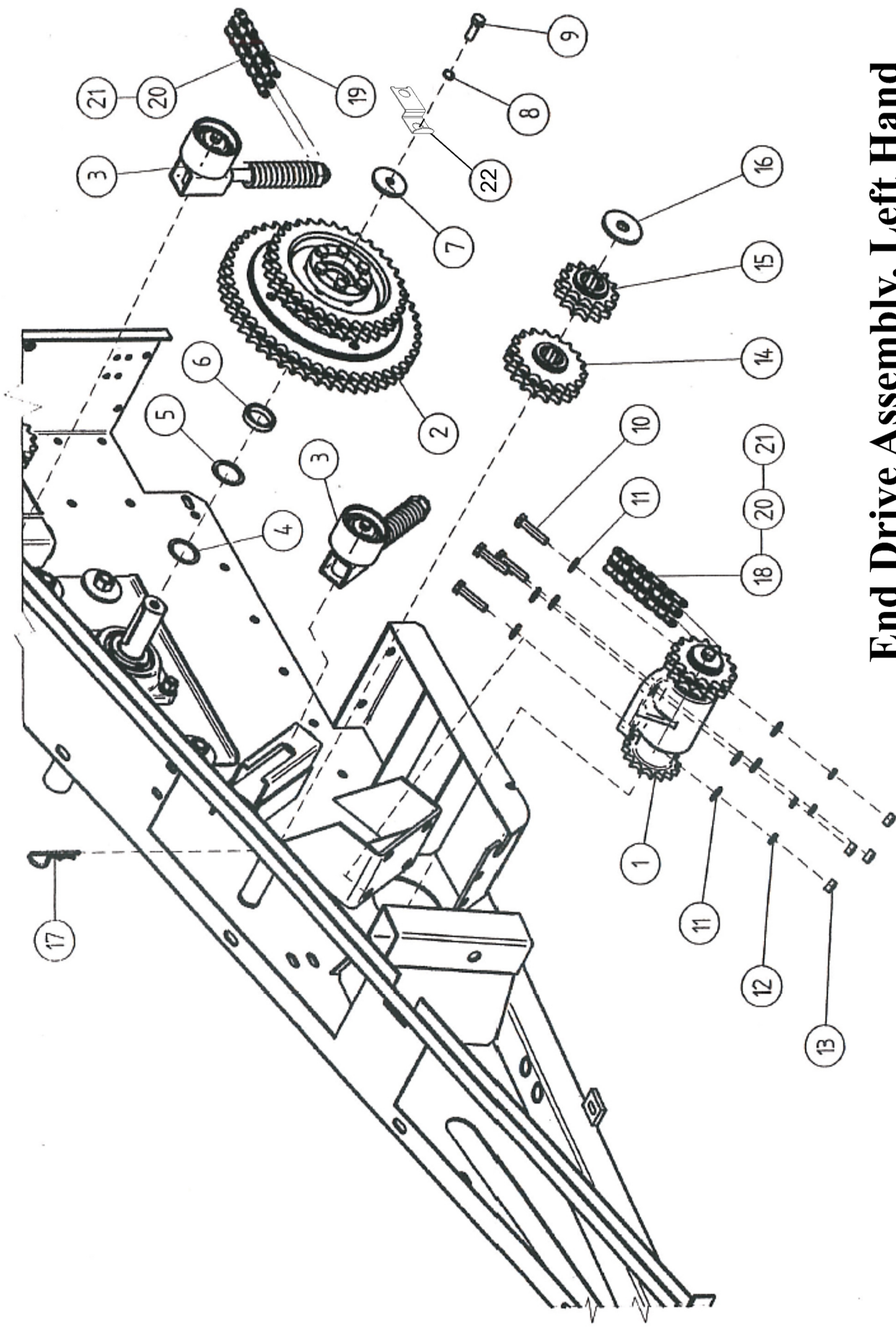
01-001-833

Drive Assembly (RH & LH) - 1220

012

Item #	Description	Part #	Pieces per header by model number				Remarks
			#1220	#1620 *	#1820 *	#2420 *	
	Single drive assy RH, 1220	01-001-829	1				
	Drive assy LH, w/ clutch - 1220	01-001-833	1				
1	Connecting shaft assy	03-016-843	2				
2	Clutch & sprocket assy-12,16,18	05-024-101	1				1250Nm = 900 Ft Lb
3	Sprocket, double - 33 tooth	07-016-849	1				
4	Chain tensioner assy	06-016-850	2				
5	Washer, flat	M10FW	16				
6	Screw, hex hd cap, grade 8.8	M10x45	8				
7	Washer, lock	M10LW	8				
8	Nut, hex, grade 8	M10HN	8				
9	Chain, double roller, 82 link	12B2	2				
10	Chain connector, dbl roller - straight	CL12B2	7				4 piece set
11	Chain connector, dbl roller - offset	OL12B2	7				4 piece set
12	Sprocket, double chain	(See RH column)	1				Chain length depends on combine
13	Sprocket, double - 10 tooth	24-005-829					As required to match combine feeder housing and speed of combine drive
	Sprocket, double - 11 tooth	24-009-241					
	Sprocket, double - 12 tooth	24-009-243					
	Sprocket, double - 13 tooth	24-005-817					
	Sprocket, double - 14 tooth	24-005-827					
	Sprocket, double - 15 tooth	24-005-828					
	Sprocket, double - 16 tooth	24-005-826					
	Sprocket, double - 18 tooth	24-005-825					
	Sprocket, double - 20 tooth	24-005-923					
	Sprocket, double - 22 tooth	24-009-242					
14	Washer	M16FW	2				
15	Hair pin key, 5/32 - #9	900-25005	2				
16	Washer, shim - 1mm (mach bushing)	13-005-993	2				Or as required for alignment
17	Washer, spacer - 2mm (" ")	13-005-994	2				Or as required for alignment
18	Bushing, spacer	31-016-820	2				
19	Washer, flat	13-016-842	2				
20	Washer, lock	M10LW	2				
21	Screw, hex hd cap, grade 8.8	M10x25	2				
22	Chain, double roller, ___ link	12B2	1				

* For 1620, 1820 and 2420 - see next four pages



End Drive Assembly, Left Hand

Double Drive - 1620, 1820 & 2420

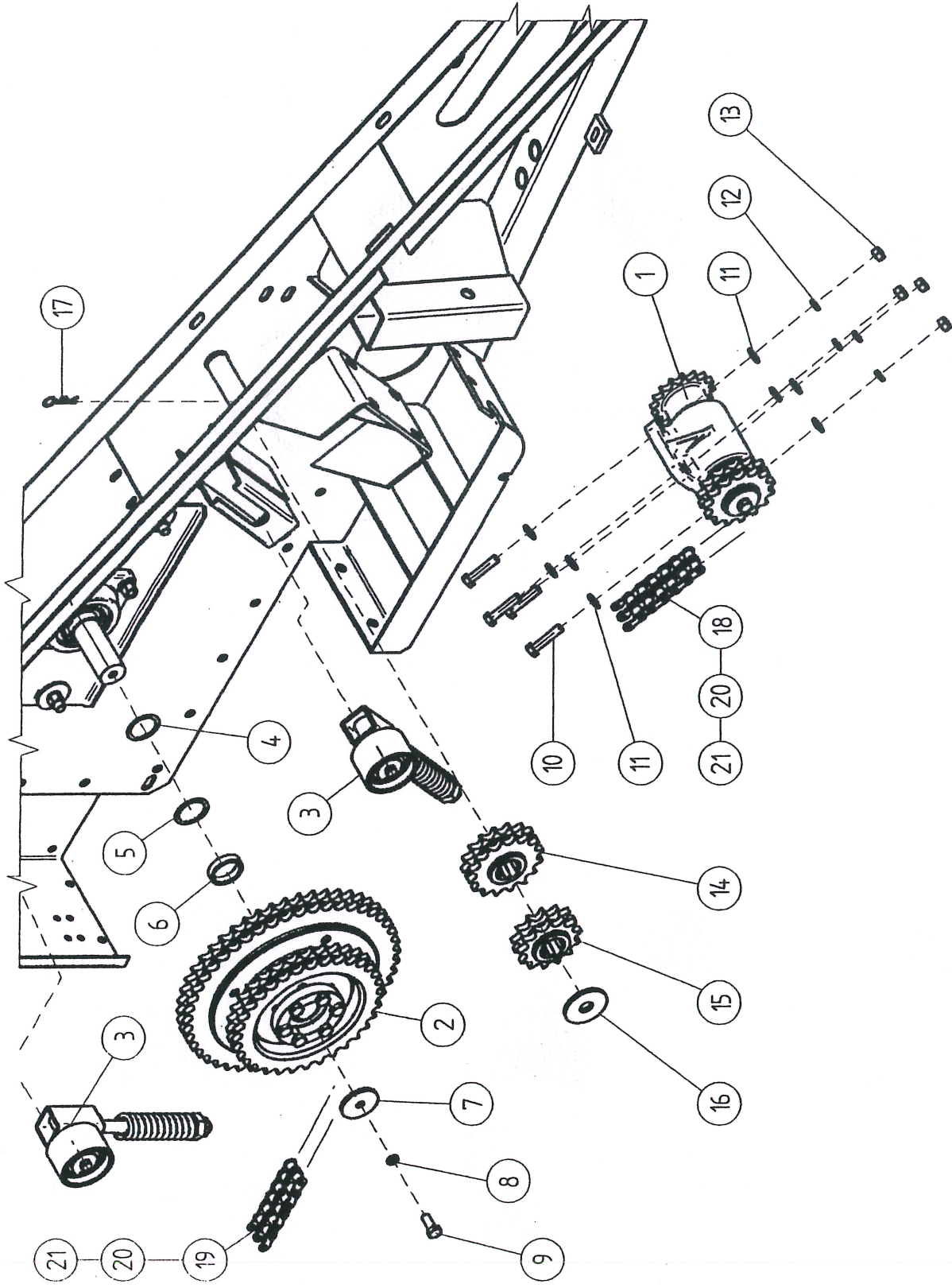
Part No. 01-024-073

Double End Drive Assy, Right Hand - 1620 & 1820

013

Item #	Description	Part #	Pieces per Header by model #			Remarks
			#1220 *	#1620	#1820	
	Double end drive assy, RH	01-024-074		1	1	
1	Connecting shaft assy kit	03-016-844		1	1	See pp 34, 35
1	Connecting shaft assy	03-016-843		1	1	" " " "
2	Clutch II & sprocket assy / 16 (& 18)	05-024-102		1	1	750Nm 500 Ft Lb
3	Chain tensioner assy	06-016-850		2	2	
4	Washer, shim -1mm (mach bushing)	13-005-993		2	2	Or as required for alignment
5	Washer, spacer - 2mm (" ")	13-005-994		2	2	Or as required for alignment
6	Sleeve, spacer	31-016-820		1	1	
7	Washer, 2" special	100-3-3648		1	1	
8	Washer, lock	M10LW		1	1	
9	Hex head cap screw	M10x25		1	1	
10	Hex head cap screw	M10x45		4	4	
11	Washer, flat	M10FW		8	8	
12	Washer, lock	M10LW		4	4	
13	Hex Nut, plated	M10HN		4	4	
14	Weld hub & dble sprocket, 16 tooth	24-024-084W		1	1	
15	Sprocket, double - 13 tooth	24-005-817		1	1	
16	Washer, flat	M16FW		1	1	
17	Hair pin key, 5/32 - #9	900-25005		1	1	
18	Chain, double roller, link	12B2		1	1	82
19	Chain, double roller, link	12B2		1	1	108
20	Chain connector link, double	CL12B2		2	2	
21	(Clip for above)	"		"	"	

* For 1220 - see pages 26 and 27



End Drive Assembly, Right Hand
Double Drive - 1620, 1820 & 2420

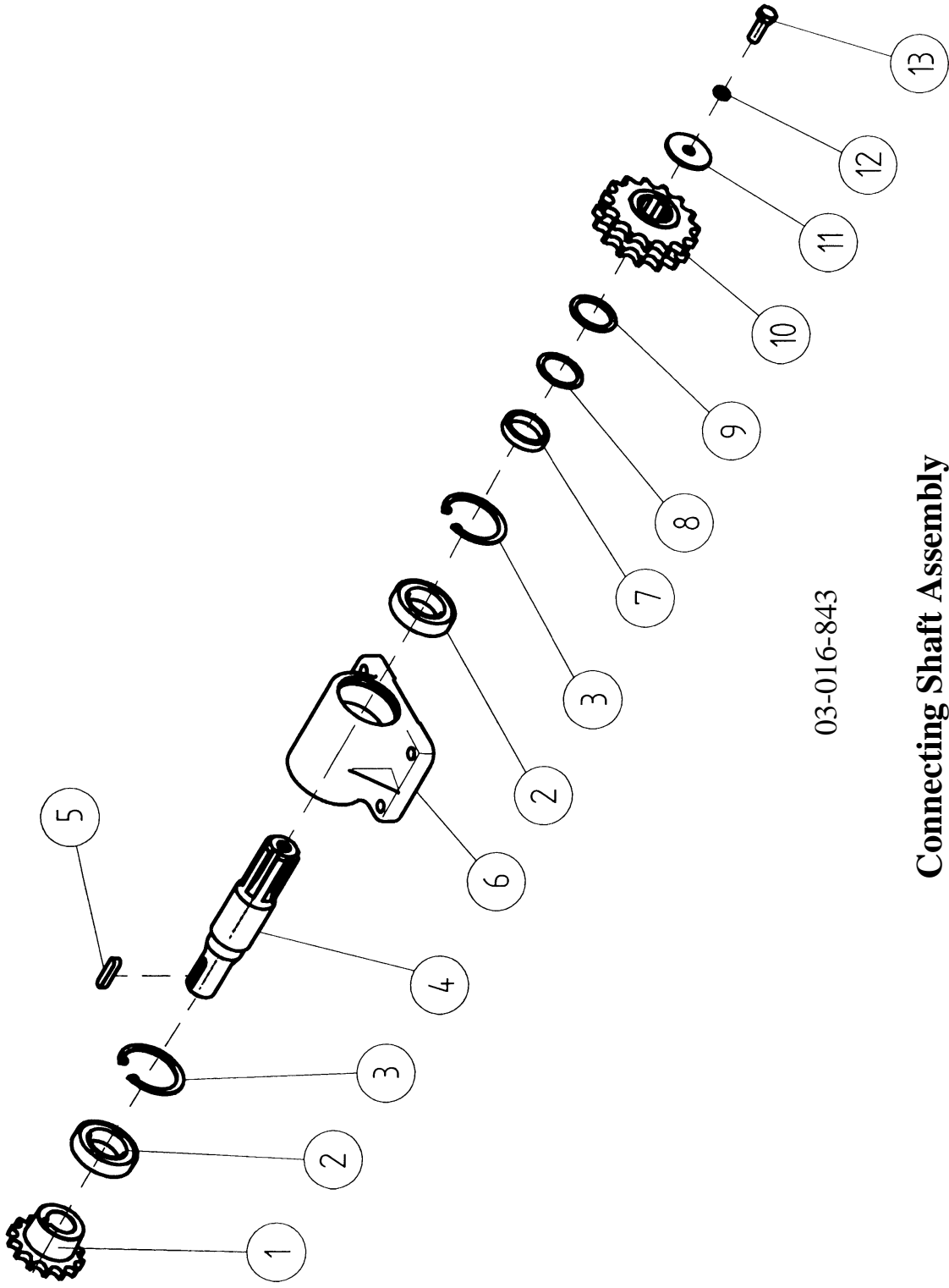
Part No. 01-024-074

Double End Drive Assy, Right Hand - 1620, 1820 & 2420

014

Item #	Description	Part #	Pieces per Header by model number			Remarks	
			#1220 *	#1620	#1820		#2420
	Double end drive assy, RH	01-024-074		1	1	1	
1	Connecting shaft assy kit	03-016-844		1	1	1	See pp 34, 35
1	Connecting shaft assy	03-016-843		1	1	1	" " " "
2	Clutch II & sprocket assy / 16, 18, 24	05-024-102		1	1	1	750Nm 500 Ft Lb
3	Chain tensioner assy	06-016-850		2	2	2	
4	Washer, shim -1mm (mach bushing)	13-005-993		2	2	2	Or as required for alignment
5	Washer, spacer - 2mm (" ")	13-005-994		2	2	2	Or as required for alignment
6	Bushing, spacer	31-016-820		1	1	1	
7	Washer, 2" special	100-3-3648		1	1	1	
8	Washer, lock	M10LW		1	1	1	
9	Hex head cap screw	M10x25		1	1	1	
10	Hex head cap screw	M10x45		4	4	4	
11	Washer, flat	M10FW		8	8	8	
12	Washer, lock	M10LW		4	4	4	
13	Hex Nut, plated	M10HN		4	4	4	
14	Weld hub & dble sprocket, 16 tooth	24-024-084W		1	1	1	
15	Sprocket, double - 13 tooth	24-005-817		1	1	1	
16	Washer, flat	M16FW		1	1	1	
17	Hair pin key, 5/32 - #9	900-25005		1	1	1	
18	Chain, double roller, ___ link	12B2		1	1	1	82
19	Chain, double roller, ___ link	12B2		1	1	1	108
20	Chain connector link, double	CL12B2		2	2	2	
21	(Clip for above)	"		"	"	"	

* For 1220 - see pages 28 and 29



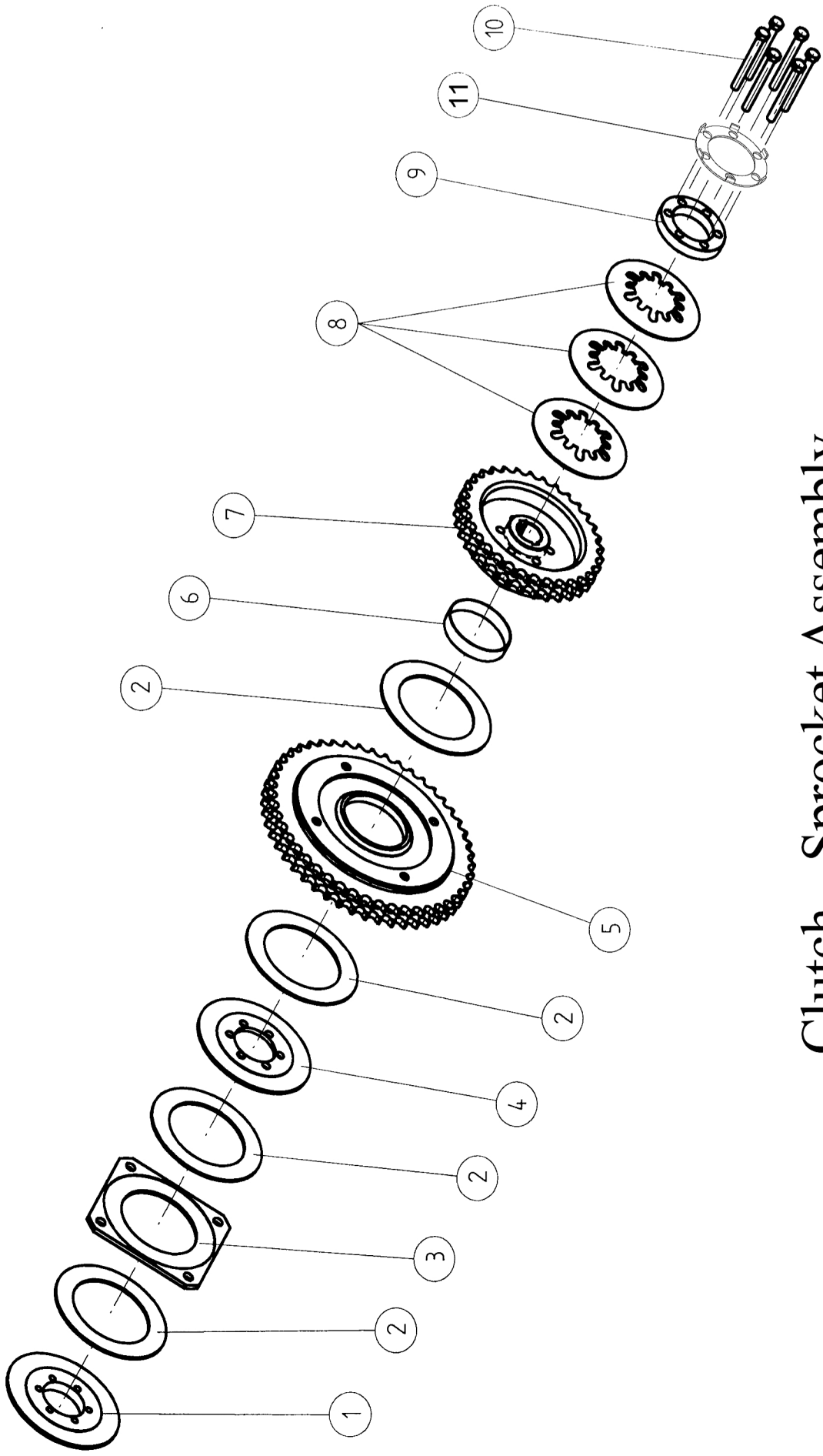
03-016-843

Connecting Shaft Assembly

Connecting Shaft Assy - 03-016-843

015

Item #	Description	Part #	Pieces per header by model number				Remarks
			#1220	#1620	#1820	#2420	
	Connecting shaft Assy	03-016-843	2	2	2	2	
			Pieces per individual unit				
1	Sprocket, 14 tooth	24-016-425	1	1	1	1	
2	Bearing, deep groove, ball w/seal	6007-2RS1	2	2	2	2	SKF
3	Snap ring	62MSZ231	2	2	2	2	
4	Shaft	30-016-851	1	1	1	1	
5	Key, 8x7x36mm	34-004-214	1	1	1	1	
6	Housing, bearing	40-004-209	1	1	1	1	
7	Spacer	31-016-852	1	1	1	1	
8	Washer, shim 1 mm	13-005-993	1	1	1	1	Or as needed
9	Washer, spacer 2 mm	13-005-994	1	1	1	1	Or as needed
10	Sprocket, dbl chain, 15 tooth	24-005-828	1	1	1	1	
11	Washer, flat	13-005-830	1	1	1	1	
12	Washer, lock	M10LW	1	1	1	1	
13	Screw, hex hd cap, grade 8.8	M10x30	1	1	1	1	

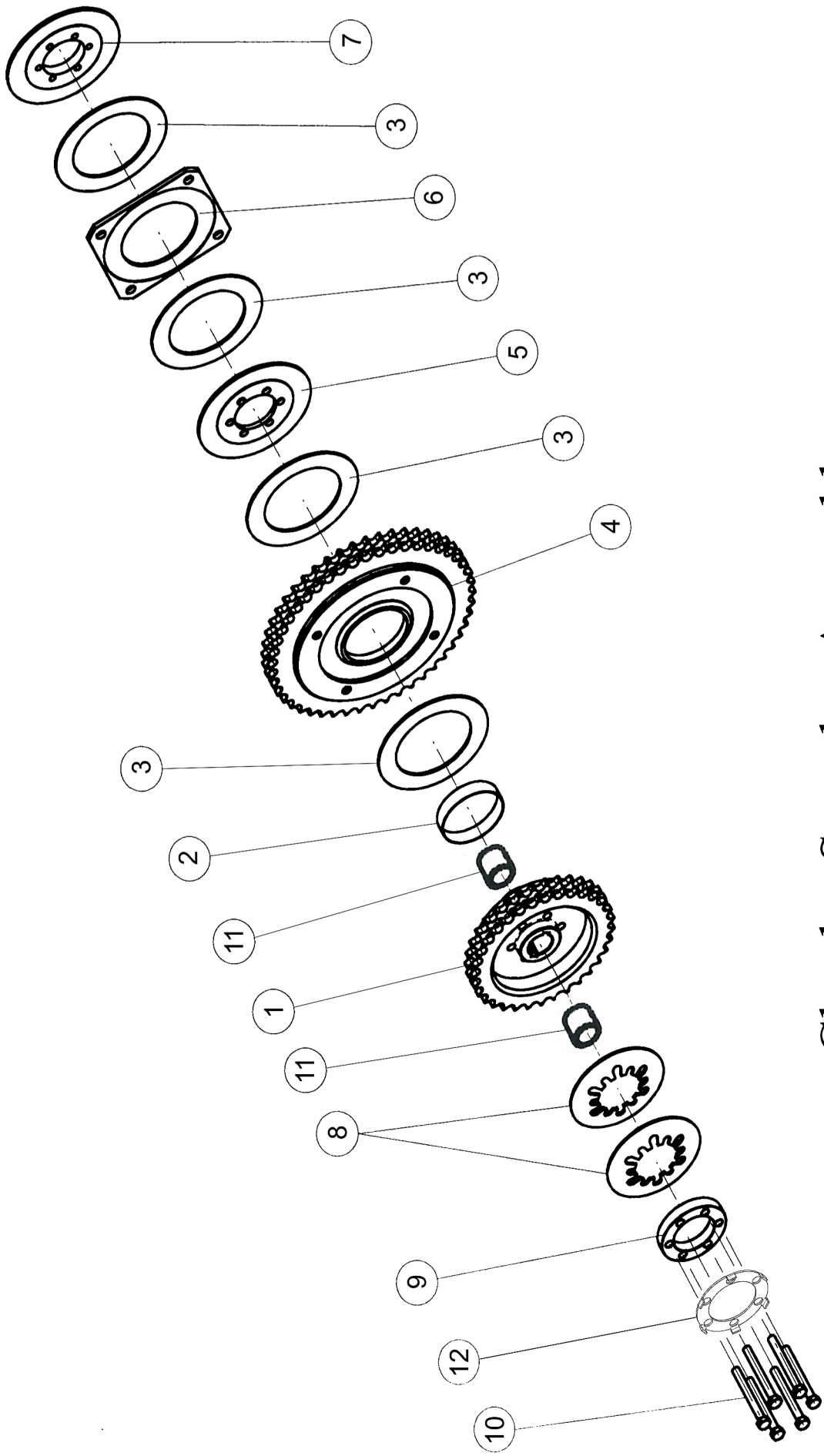


Clutch - Sprocket Assembly,
Left Hand - 12, 16, 18 & 24

**Clutch / Sprocket assy,
Left Hand - 12, 16, 18 & 24**

016

Item #	Description	Part #	Pieces per header by model number					Remarks
			#1220	#1620	#1820	#2420		
	Clutch / sprocket assy, LH, 12 row	05-016-848	1					1250Nm 900 ft lb
	Clutch / sprocket assy, LH, 16, 18 & 24 row	05-024-101		1	1	1		1500Nm 1050 ft lb
1	Back plate, outer	29-016-867	1	1	1	1		
2	Friction disk, clutch	RONA 63/TAU	4	4	4	4		
3	Collar, backing plate	29-016-868	1	1	1	1		
4	Back plate, inner	29-016-869	1	1	1	1		
5	Sprocket assy, main	07-016-866	1	1	1	1		
6	Band	14-016-859	1	1	1	1		
7	Sprocket assy, driven - PTO	07-016-865	1	1	1	1		
8	Spring plate	043 491	2	3	3	3		
9	Collar, pressure	29-016-870	1	1	1	1		
10	Screw, hex hd cap, grade 8.8	M10x80	6	-	-	-		
"	Screw, hex hd cap, grade 8.8	M10x90	-	6	6	6		
11	Lock tab, clutch assy	13-004-305	-	1	1	1		



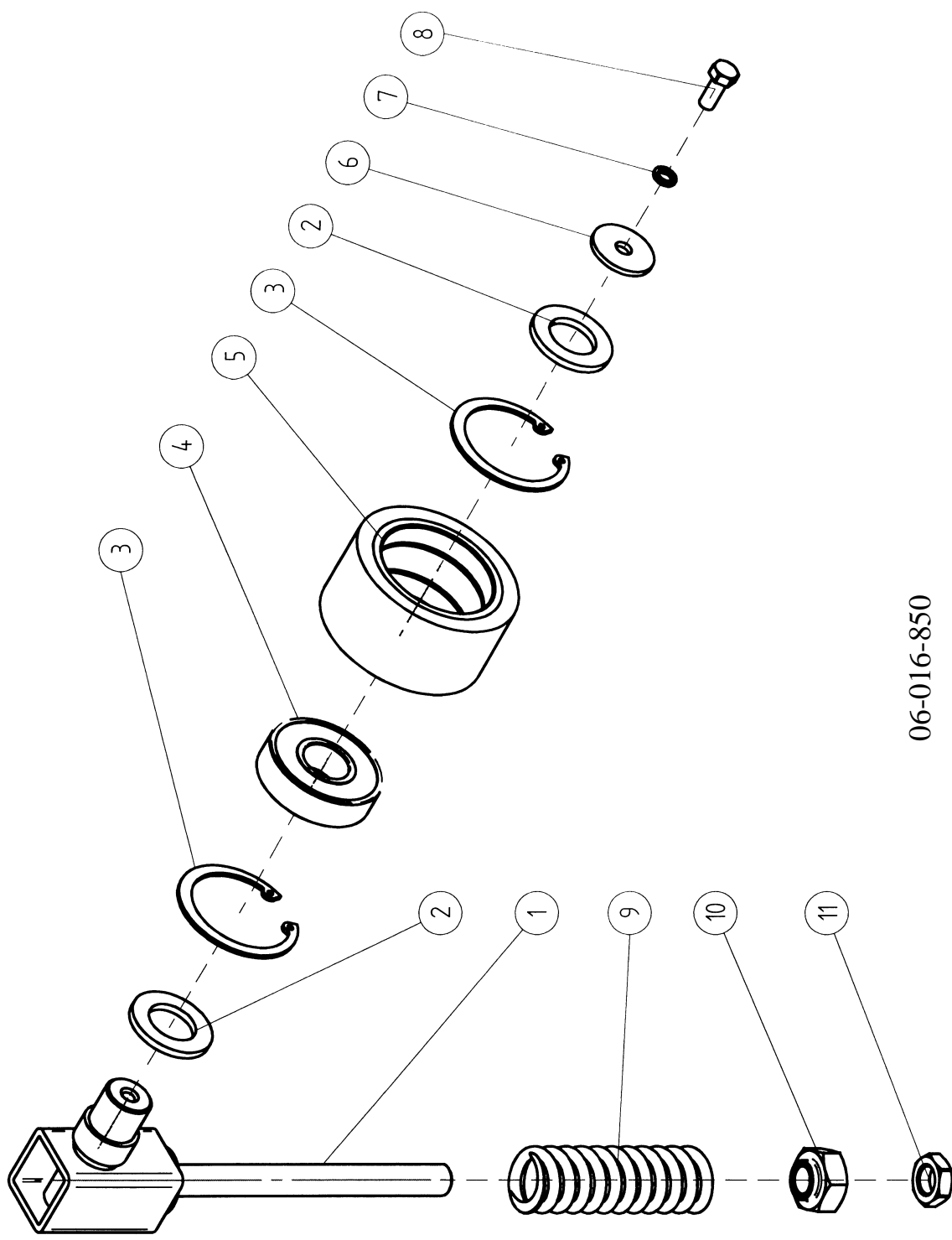
Clutch - Sprocket Assembly
 Right Hand - 16, 18, & 24

**Clutch - Sprocket assy,
Right Hand - 12, 16, 18 & 24**

017

Item #	Description	Part #	Pieces per header by model number				Remarks
			#1220 *	#1620	#1820	#2420	
	Clutch - sprocket assy, RH, 1220	01-001-829	1				Standard
	" " " " "	05-024-102 *	1				Optional
	Clutch / sprocket assy, RH, 16, 18 & 2420	05-024-102		1	1	1	1500Nm 1050 ft lb (Standard)
1	Sprocket assy, driven - PTO	07-024-103	1	1	1	1	
2	Band	14-016-859	1	1	1	1	
3	Friction disk, clutch	RONA 63/TAU	4	4	4	4	
4	Sprocket assy, main	07-016-866	1	1	1	1	
5	Back plate, inner	29-016-869	1	1	1	1	
6	Collar, backing plate	29-016-868	1	1	1	1	
7	Back plate, outer	29-016-867	1	1	1	1	
8	Spring plate	043 491	2	2	2	2	
9	Collar, pressure	29-016-870	1	1	1	1	
10	Screw, hex hd cap, grade 8.8	M10x90	6	6	6	6	
11	Bushing, bronze	PM3535SY	2	2	2	2	
12	Lock tab, clutch assy	13-004-305	-	1	1	1	

* Optional on 1220 row headers. Standard, right hand, single drive is shown on pages 28 & 29. By installing this clutch, the right hand gear-boxes have additional protection.



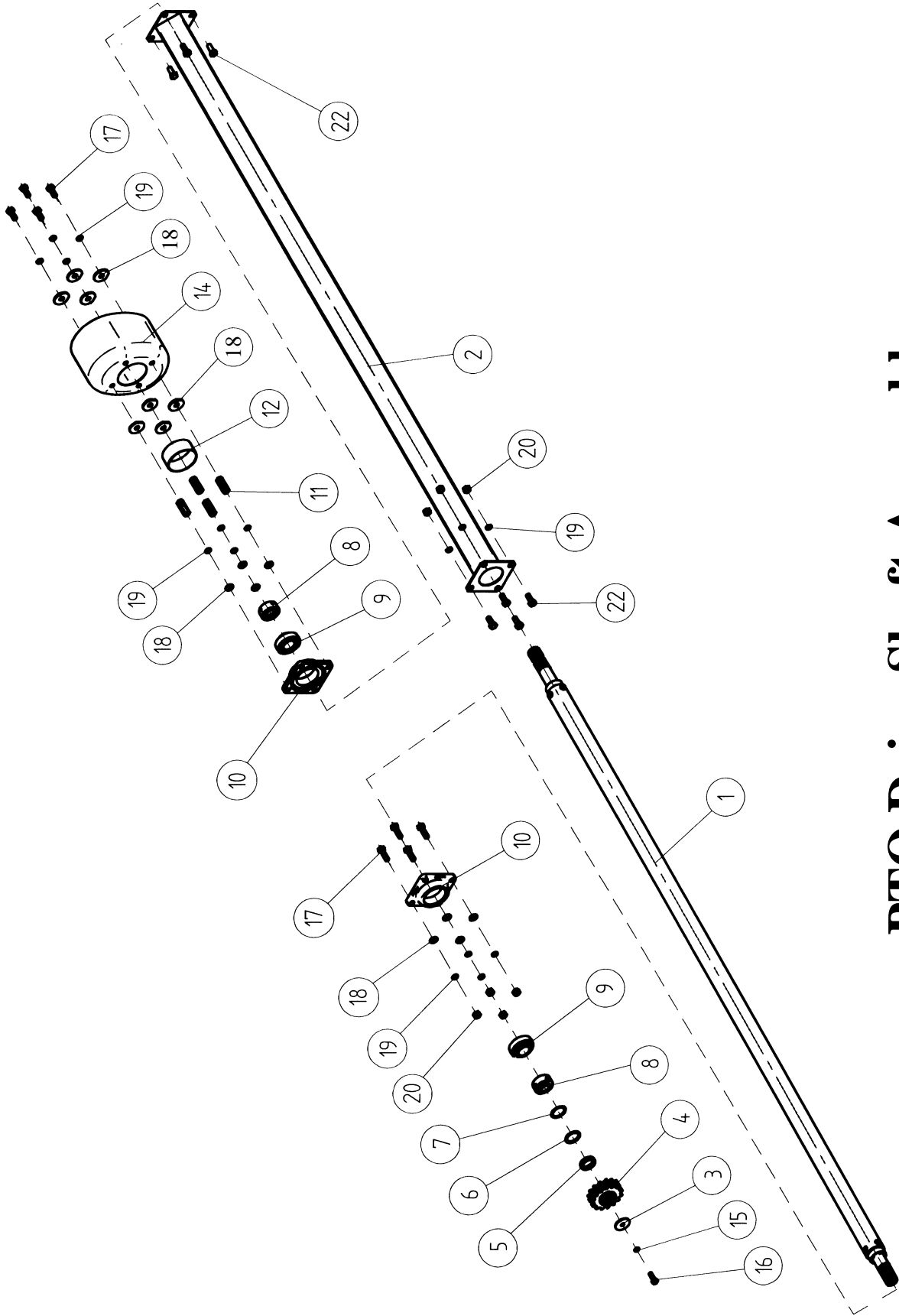
06-016-850

Chain Tensioner Assembly

Chain Tensioner Assy - 06-016-850

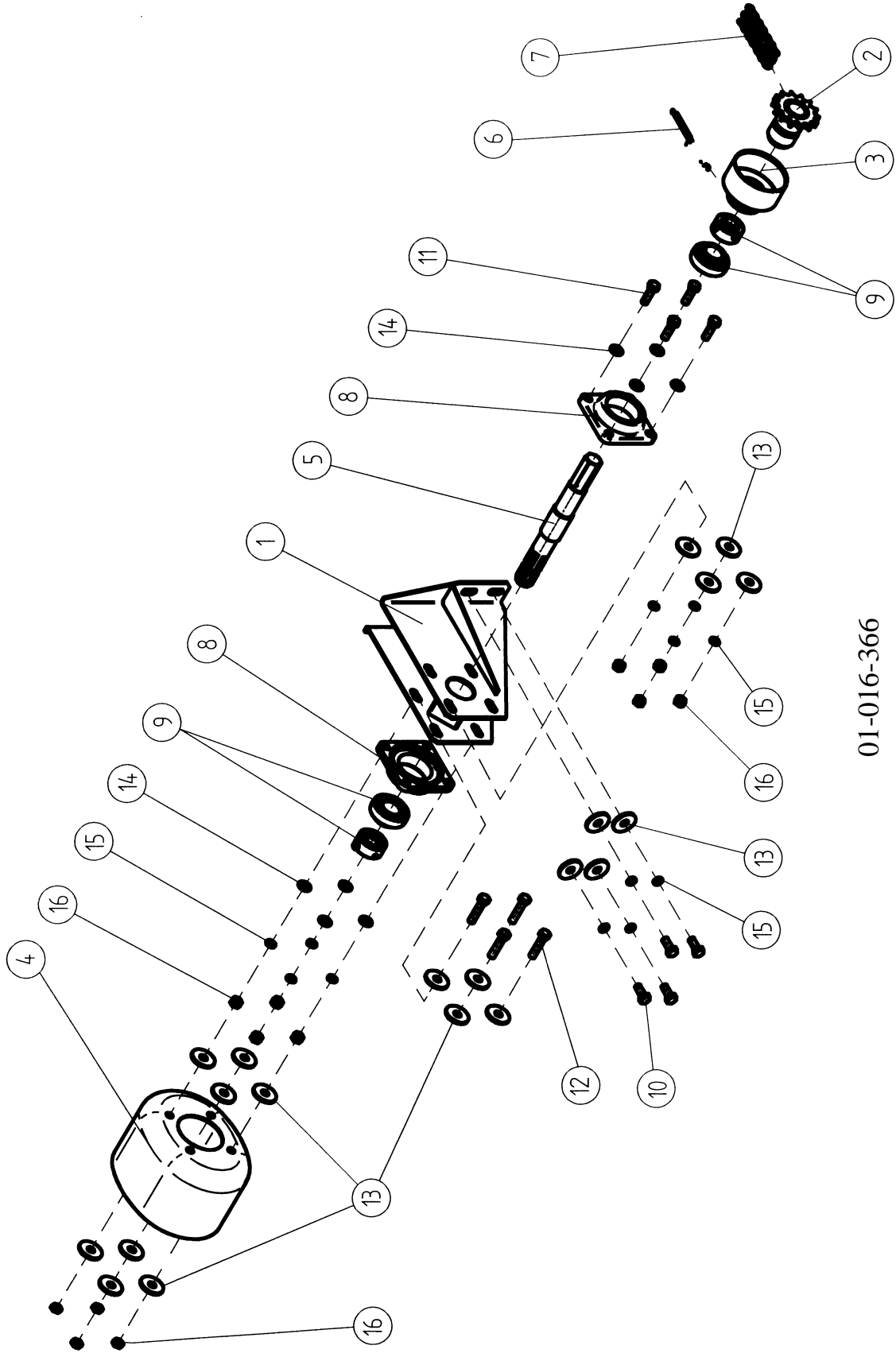
018

Item #	Description	Part #	Pieces per header by model number				Remarks
			#1220	#1620	#1820	#2420	
	Chain tensioner assy	06-016-850	3	4	4	4	
			Pieces per individual unit				
1	Tensioner arm	02-016-875	1	1	1	1	
2	Washer, flat - 24mm	M24FW	2	2	2	2	
3	Snap ring	62MSZ231	2	2	2	2	
4	Bearing, ball w/seal	63052RS1	-	-	-	-	EU part no.
4	Bearing, ball w/seal	6305-2RSR	1	1	1	1	SKF
5	Roller, tensioner	61-016-876	1	1	1	1	
6	Washer, flat	13-016-429	1	1	1	1	
	Washer, 25.5mm	13-016-888	3	3	3	3	
	Washer, 25.5mm	13-016-889	3	3	3	3	
7	Washer, lock	M8LW	1	1	1	1	
8	Screw, hex hd cap, grade 8.8	M8x20	1	1	1	1	
9	Spring	50-004-340	1	1	1	1	
10	Nut, hex	33-016-065	1	1	1	1	
11	Nut, low (jam) hex, grade 4	M16JN	1	1	1	1	



PTO Drive Shaft Assembly

Item #	Description	Part #	Pieces per header by model number					Remarks
			#1220	#1620	#1820	#2420		
	PTO drive shaft assy, 1220	01-015-774	1					
	PTO drive shaft assy, 1620	01-001-824		2				After Ser. No. M11650
	PTO drive shaft assy, 1820	01-001-822			2			Before " " "
	PTO drive shaft assy, 1820	01-001-823			2			After " " "
	PTO drive shaft assy, 2420	01-001-827				2		
1	Drive shaft, 1220	30-015-800	1					Before 2010 - Metric
1	Drive shaft, 1220	30-015-801	1					After 2010 - English
1	Drive shaft, 1620	30-018-894		2				After Ser. No. M11650
1	Drive shaft, 1820	30-018-892			2			Before " " "
1	Drive shaft, 1820	30-018-893			2			After " " "
1	Drive shaft, 2420	30-018-896				2		
2	Shaft guard, 1220	02-015-801	1					After 2010 - English
2	Shaft guard, 1620	02-018-898		2				After Ser. No. M11650
2	Shaft guard, 1820	02-018-899			2			Before " " "
2	Shaft guard, 1820	02-018-900			2			After " " "
2	Shaft guard, 2420	02-018-903				2		
			Pieces per individual shaft assy					
3	Washer, flat	13-005-830	1	1	1	1		
4	Sprocket, double	See remarks column	1	1	1	1		Depends on combine
5	Sleeve, spacer	31-016-852	1	1	1	1		
6	Washer, shim	13-005-993	2	2	2	2		Or as needed
7	Washer, spacer	13-005-994	2	2	2	2		Or as needed
8	Locking collar (for Y bearing below)	YT-207	2	2	2	2		SKF comes w/ bearing
9	Y bearing	YT-207	2	2	2	2		SKF
10	Housing, bearing	FY-507	2	2	2	2		SKF
11	Nut, coupler - 12x50mm	33-016-879	4	4	4	4		
12	Plastic tube extension	60-016-878	1	1	1	1		
14	Cone, safety	61-016-441	1	1	1	1		
15	Washer, lock	M10LW	1	1	1	1		
16	Screw, hex hd cap, grade 8.8	M10x30	1	1	1	1		
17	Screw, hex hd cap, grade 8.8	M12x50	4	4	4	4		
18	Washer, flat	M12FW	16	16	16	16		
19	Washer, lock	M12LW	16	16	16	16		
20	Nut, hex	M12HN	8	8	8	8		
21	Washer (previously used wood)	M12FW	4	4	4	4		
22	Screw, hex hd cap, grade 8.8	M12x30	8	8	8	8		



01-016-366

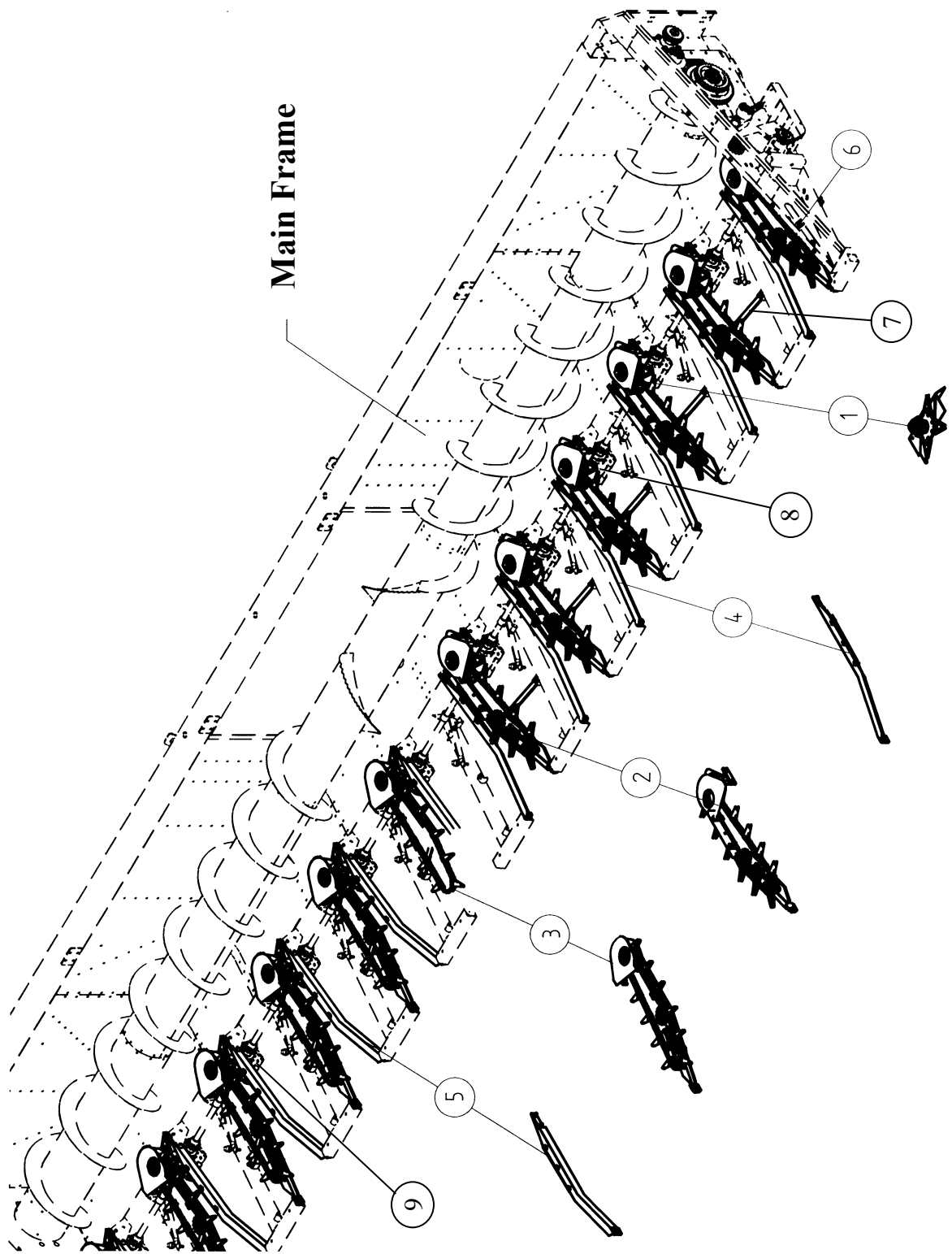
JD - 9600 Drive Kit

JD - 9600 Drive Kit

01-016-366

020

Item #	Description	Part #	Pieces per header by model number				Remarks
			#1220	#1620	#1820	#2420	
1	Bearing support wldmt, JD only	02-016-450	1	1	1		
2	Sprocket wldmt, JD only	07-016-451	1	1	1		
3	Sleeve, connector - JD	02-016-452	1	1	1		
4	Cone, safety	61-016-441	1	1	1		
5	Countershaft	30-016-455	1	1	1		
6	Spring	50-016-456	1	1	1		
7	Chain, double roller - 14 link	12B2-14	1	1	1		
8	Housing, bearing	FY-507	2	2	2		
9	Y bearing with locking collar	YT-207	2	2	2		
10	Screw, hex hd cap, grade 8.8	M12x30	4	4	4		
11	Screw, hex hd cap, grade 8.8	M12x40	4	4	4		
12	Screw, hex hd cap, grade 8.8	M12x55	4	4	4		
13	Washer (previously used wood)	M12W	20	20	20		
14	Washer, flat	M12FW	8	8	8		
15	Washer, lock	M12LW	12	12	12		
16	Nut, hex, grade 8	M12HN	12	12	12		



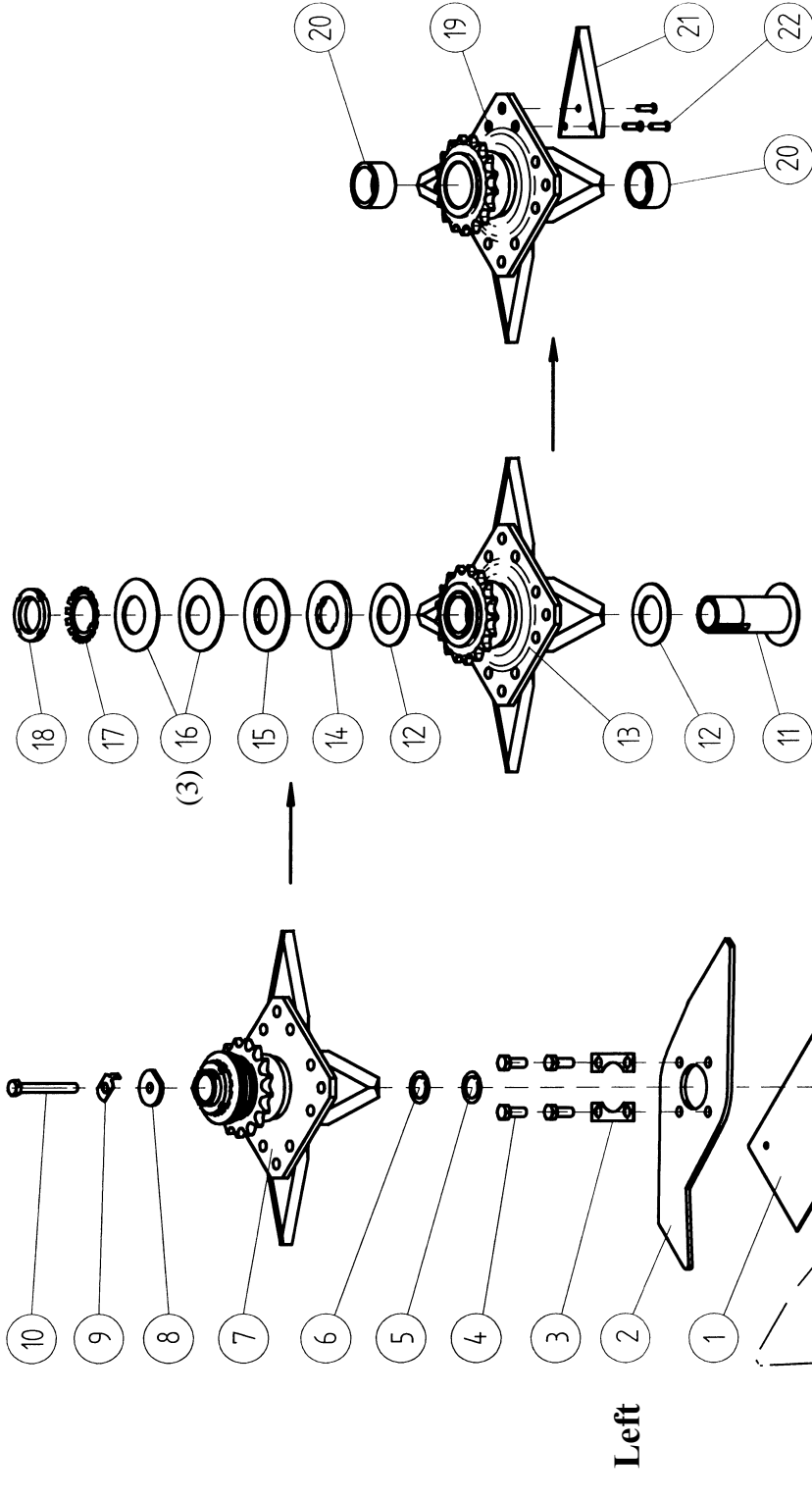
Main Frame

Row Units

Row Units Assembly

021

Item #	Description	Part #	Pieces per header by model number				Remarks
			#1220	#1620	#1820	#2420	
	Row unit assy, 1220	01-015-714	1				
	Row unit assy, 1620	01-001-715		1			
	Row unit assy, 1820	01-001-714			1		
	Row unit assy, 2420	01-001-716				1	
1	Cutting blade assy	05-016-906	12	16	18	24	-
2	Gathering chain guide & tensioner (LH)	01-001-201	6	8	9	12	
3	Gathering chain guide & tensioner (RH)	01-001-202	6	8	9	12	
4	Guide assy (LH)	01-001-080	6	8	9	12	
5	Guide assy (RH)	01-001-081	6	8	9	12	
6	Brace, outer	52-006-031	2	2	2	2	
7	Brace, inner	52-014-221	10	14	16	22	
8	Cutting edge, stationary - (LH)	13-006-025	6	8	9	12	
9	Cutting edge, stationary - (RH)	13-006-026	6	8	9	12	



Blade Assembly
Group 13
 05-006-034

Rotary Cutter
Group 7
 05-016-908

05-016-906

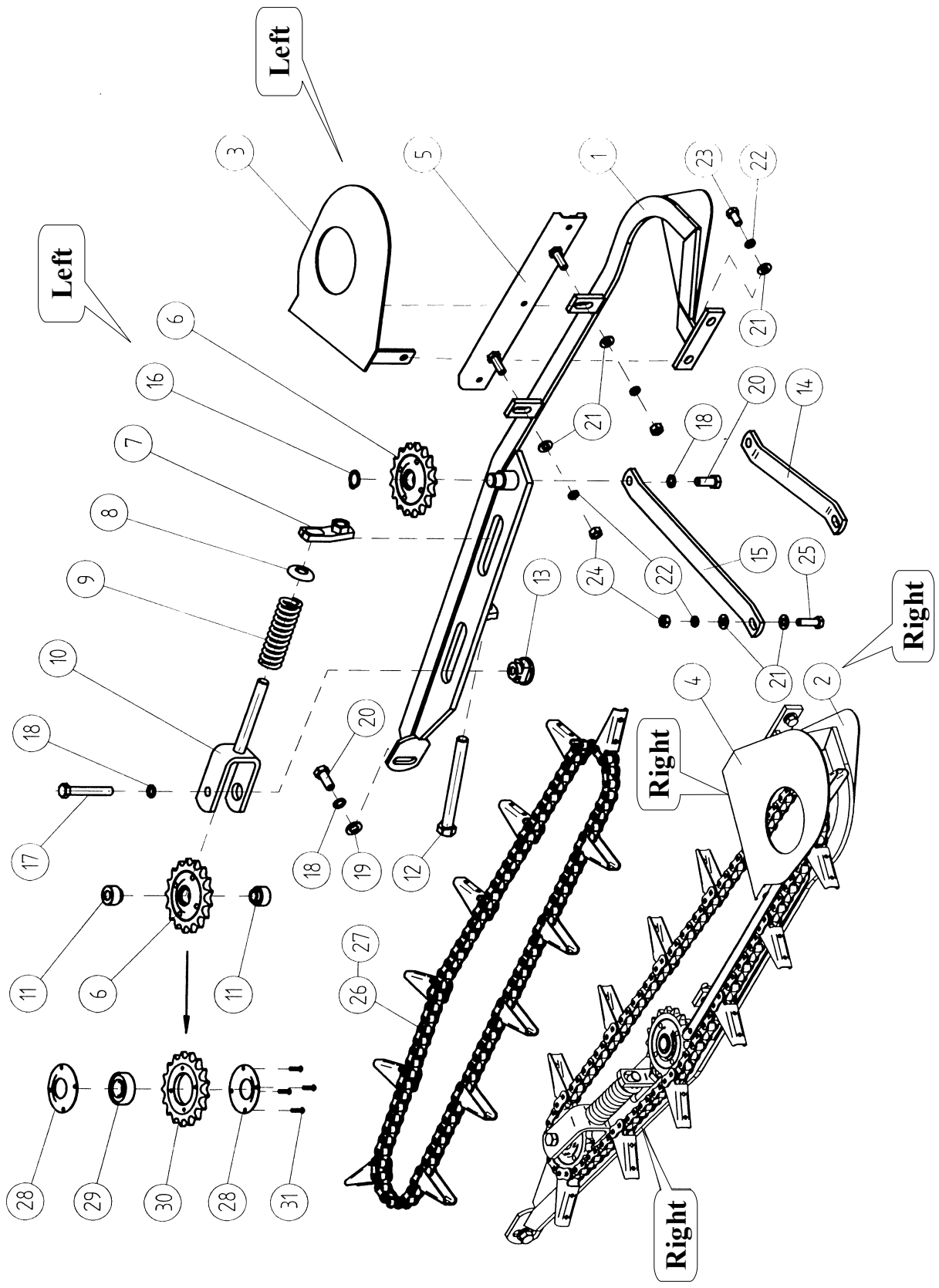
Rotary Cutting Mechanism

Rotary Cutting Mechanism

022

Item #	Description	Part #	Pieces per header by model number				Remarks
			#1220	#1620	#1820	#2420	
	Rotary cutting mechanism	05-016-906	12	16	18	24	
			Pieces per individual unit				
1	Base plate	14-004-297	1	1	1	1	
2	Cutting edge, stationary - left	13-006-025	1	1	1	1	
2	Cutting edge, stationary - right	13-006-026	1	1	1	1	
3	Plate, locking	12-004-299	2	2	2	2	
4	Screw, hex hd cap, grade 8.8	M10x25	4	4	4	4	
5	Shim 1 mm (As needed)	13-004-300	1	1	1	1	Old P/N 2-600-181/A
6	Shim 0.5mm (As needed)	13-004-301	1	1	1	1	Old P/N 2-600-181/B
7	Rotary cutter	05-016-908	1	1	1	1	
8	Bushing, upper	29-004-302	1	1	1	1	Old P/N 2-600-180
9	Lock ring	13-004-303L	1	1	1	1	
10	Screw, hex hd cap, grade 8.8	M10x80	1	1	1	1	
Group 7	Rotary cutter assy	05-016-908	1	1	1	1	
11	Hub, blade	02-006-035	1	1	1	1	
12	Friction disk, drive	61-016-910	2	2	2	2	
13	Blade assy	05-006-034	1	1	1	1	
14	Upper disk	29-016-911	1	1	1	1	
15	Pressure plate	29-016-912	1	1	1	1	
16	Washer, belleville spring	51-016-495	3	3	3	3	was (2)
17	Washer, locking - (2) internal tabs, (7) ext	13-004-304	1	1	1	1	
18	Nut, round - (4) slots - M40x1.5 x 12mm*	33-027-249	1	1	1	1	
Group 13	Blade assy	05-006-034	1	1	1	1	
19	Sprocket, driver - 17 tooth	02-006-036	1	1	1	1	
20	Bushing, cutting blade	32-004-319	2	2	2	2	
21	Blade	13-006-037	4	4	4	4	
22	Rivet d=6x22	06x22	12	12	12	12	

* 12mm = .472 inches

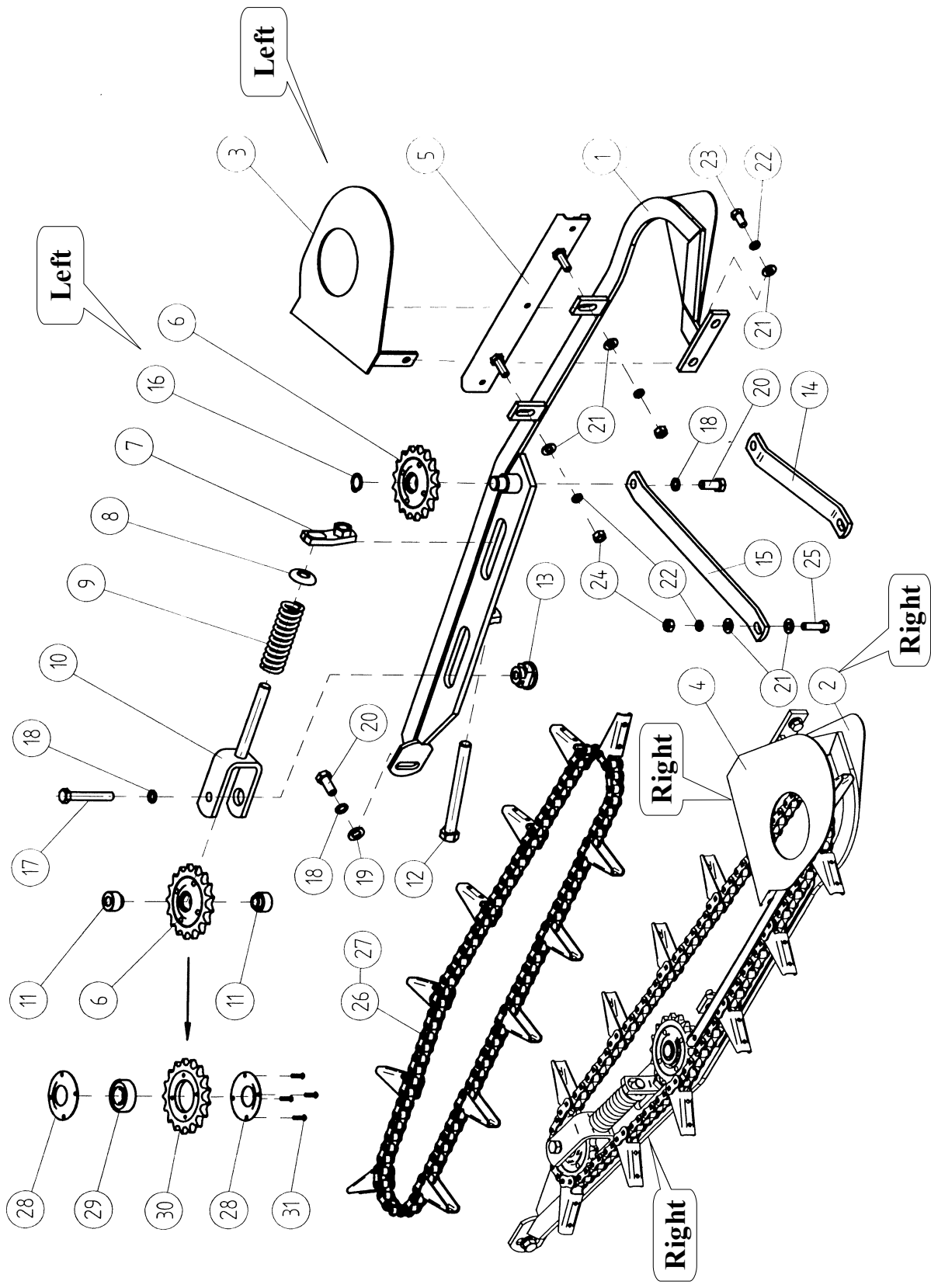


Gathering Chain and Tensioner Assembly RH / LH

Gathering Chain and Tensioner Assembly, RH / LH

023

Item #	Description	Part #	Pieces per header by model number				Remarks
			#1220	#1620	#1820	#2420	
	Gathering chain & tensioner assy LH	01-001-201	6	8	9	12	
	Gathering chain & tensioner assy RH	01-001-202	6	8	9	12	
			Pieces per individual unit				
1	Chain tensioner bracker LH	02-027-201	1	1	1	1	
2	Chain tensioner bracker RH	02-027-202	1	1	1	1	
3	Stalk ejector LH	02-016-483	1	1	1	1	
4	Stalk ejector RH	02-016-484	1	1	1	1	
5	Chain guide	02-006-023	1	1	1	1	
6	Sprocket, riveted - 17 tooth	06-006-056	2	2	2	2	
7	Spring retainer	02-027-212	1	1	1	1	
8	Washer, bent	14-027-210	1	1	1	1	
9	Spring	50-004-340	1	1	1	1	
10	Bracket	02-027-209	1	1	1	1	
11	Spacer	31-006-061	2	2	2	2	
12	Screw, tightener	02-027-215	1	1	1	1	
13	Nut	33-006-062	2	2	2	2	
14	Outer bracket	52-006-031	>	>	>	>	2 pcs/header
15	Inner bracket	52-014-221	1	1	1	1	
16	Snap ring d=20mm	20MSZ232	1	1	1	1	

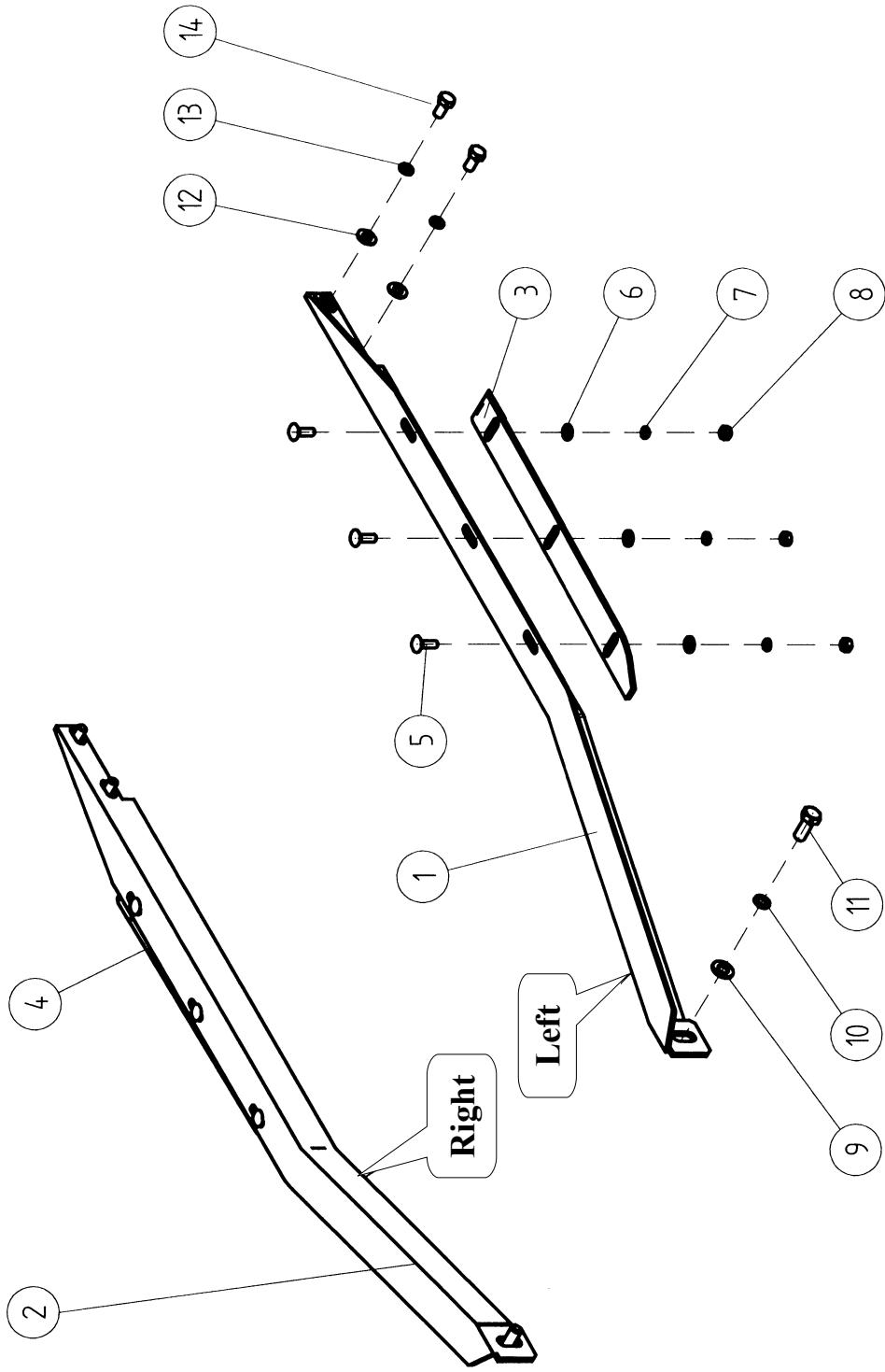


Gathering Chain and Tensioner Assembly RH / LH

Gathering Chain and Tensioner Assembly, RH / LH (cont.)

024

Item #	Description	Part #	Pieces per header by model number				Remarks
			#1220	#1620	#1820	#2420	
			Pieces per individual unit				
17	Screw, hex hd cap, grade 8.8	M12x80	1	1	1	1	
18	Washer, lock	M12LW	3	3	3	3	
19	Washer, flat	M12FW	1	1	1	1	
20	Screw, hex hd cap, grade 8.8	M12x30	2	2	2	2	
21	Washer, flat	M10FW	6	6	6	6	
22	Washer, lock	M10LW	5	5	5	5	
23	Screw, hex hd cap, grade 8.8	M10x20	2	2	2	2	
24	Nut, hex., grade 8	M10HN	3	3	3	3	
25	Screw, hex hd cap, grade 8.8	M12x35	1	1	1	1	
26	Gathering chain	54-006-080	1	1	1	1	
27	Connector link, gathering chain	CL12B1	1	1	1	1	Old P/N was 12A-1
Item No. 6	Sprocket, riveted - 17 tooth	06-006-056	Repeated item from previous page (page 51)				
28	Cover	14-004-344	2	2	2	2	
29	Bearing, ball	6204-2RS1	1	1	1	1	SKF
30	Sprocket, 17 tooth	24-004-343	1	1	1	1	
31	Rivet, d=4x18	4x18	4	4	4	4	

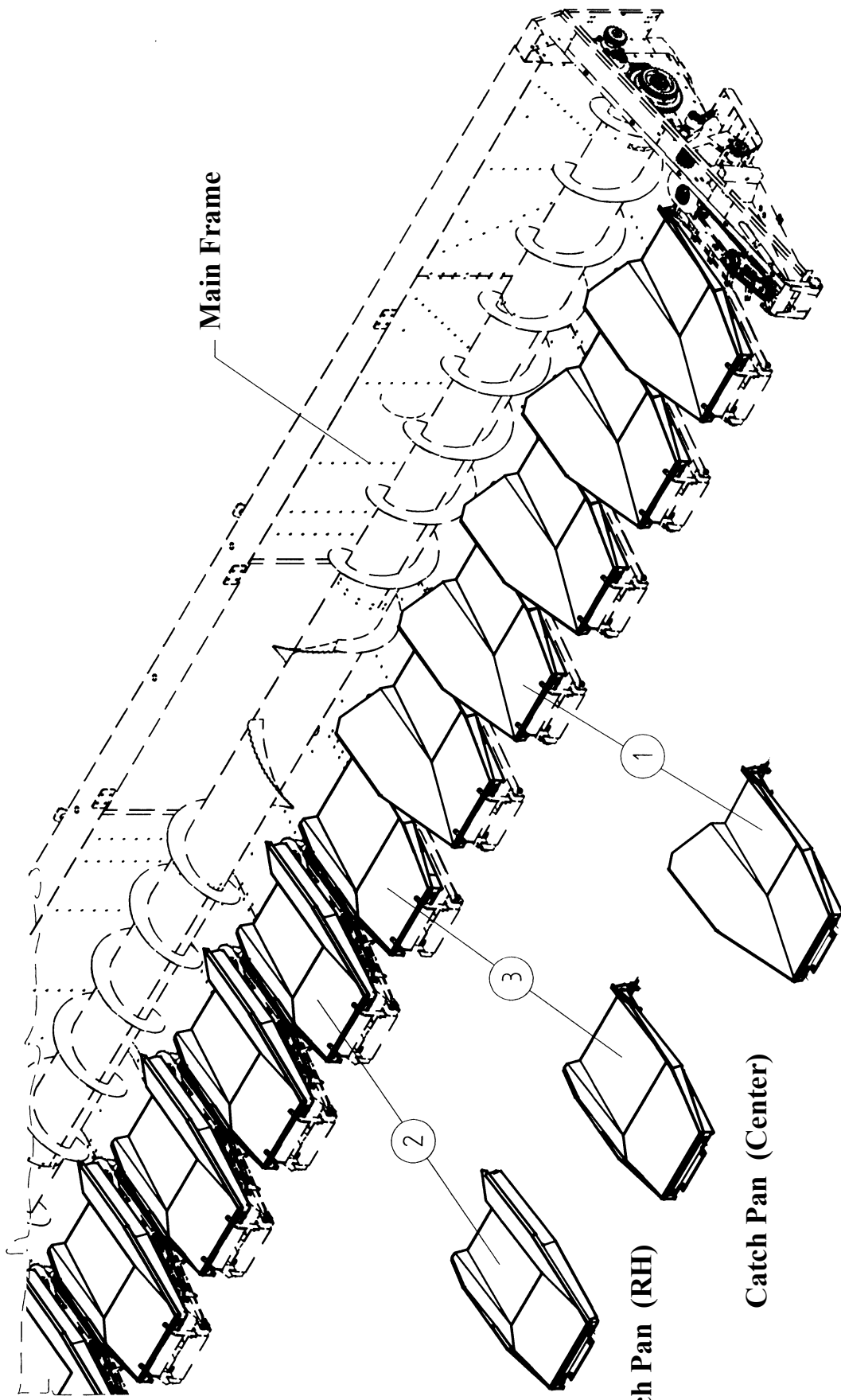


Chain Guide Assembly RH / LH

Chain Guide Assembly RH / LH

025

Item #	Description	Part #	Pieces per header by model number				Remarks
			#1220	#1620	#1820	#2420	
	Chain guide assy (LH)	01-001-080	6	8	9	12	
	Chain guide assy (RH)	01-001-081	6	8	9	12	
			Pieces per individual unit				
1	Guide (LH)	02-006-084	1	1	1	1	
2	Guide (RH)	02-006-085	1	1	1	1	
3	Adjustable plate (LH)	12-006-082	1	1	1	1	
4	Adjustable plate (RH)	12-006-083	1	1	1	1	
5	Bolt, carriage - grade 4.6	M8x25CB	3	3	3	3	
6	Washer, flat	M8FW	3	3	3	3	
7	Washer, lock	M8LW	3	3	3	3	
8	Nut, hex, grade 8	M8HN	3	3	3	3	
9	Washer, flat	M12FW	1	1	1	1	
10	Washer, lock	M12LW	1	1	1	1	
11	Screw, hex hd cap, grade 8.8	M12x30	1	1	1	1	
12	Washer, special - 2 flats	13-009-251	2	2	2	2	
13	Washer, lock	M10LW	2	2	2	2	
14	Screw, hex hd cap, grade 8.8	M10x20	2	2	2	2	



Main Frame

Catch Pan (RH)

Catch Pan (Center)

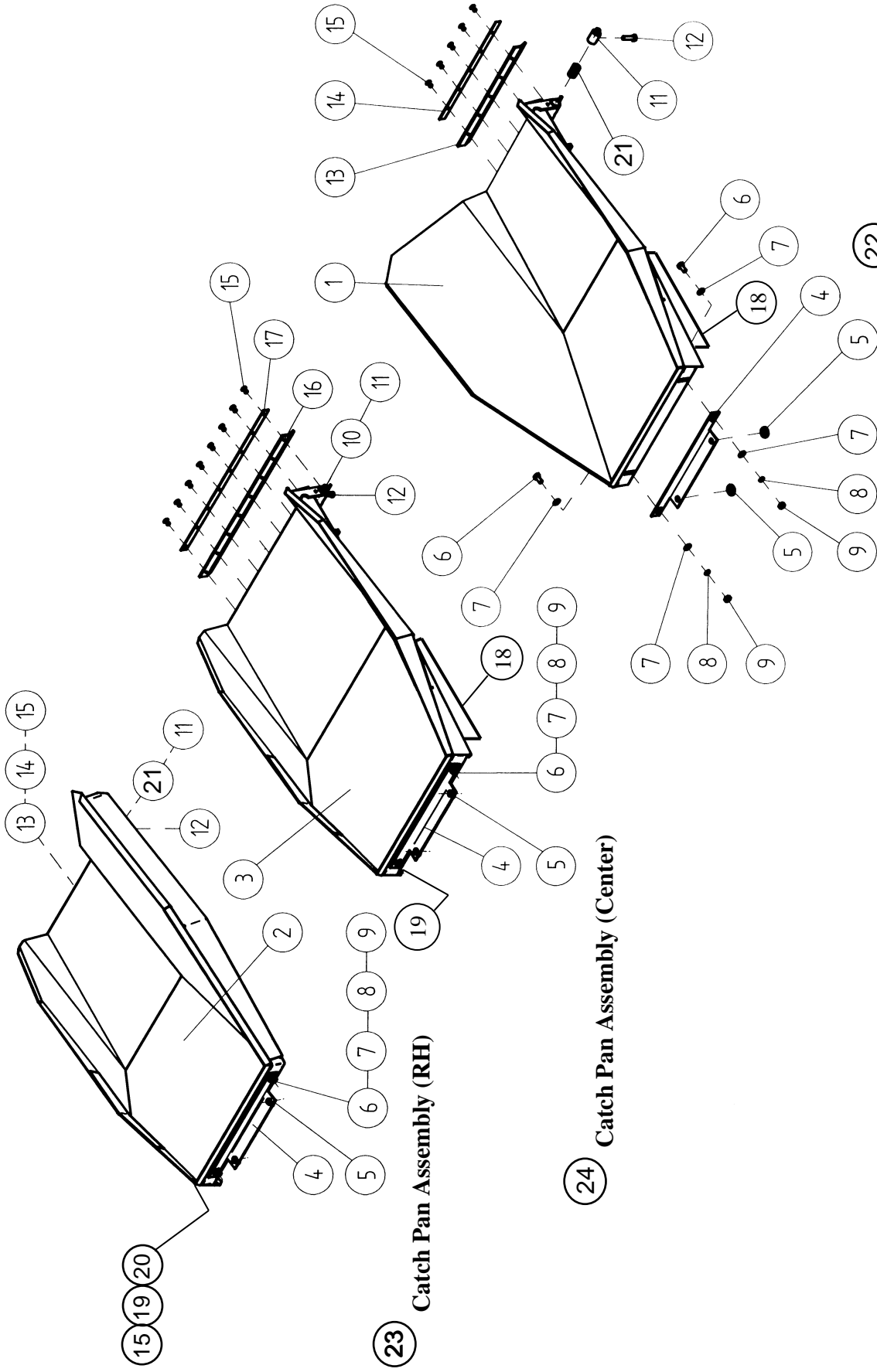
Catch Pan (LH)

Vibrating Catch Pan Assemblies

Vibrating Catch Pan Assemblies

026

Item #	Description	Part #	Pieces per header by model number				Remarks
			#1220	#1620	#1820	#2420	
	Vibrating catch pan assy, 1220	01-015-720	1				
	Vibrating catch pan assy, 1620	01-001-303		1			
	Vibrating catch pan assy, 1820	01-001-304			1		
	Vibrating catch pan assy, 2420	01-001-307				1	
1	Vibrating catch pan assy (LH)	01-001-807	5	7	8	11	
2	Vibrating catch pan assy (RH)	01-001-808	5	7	8	11	
3	Vibrating catch pan assy (Center)	01-001-809	1	1	1	1	



23 Catch Pan Assembly (RH)

24 Catch Pan Assembly (Center)

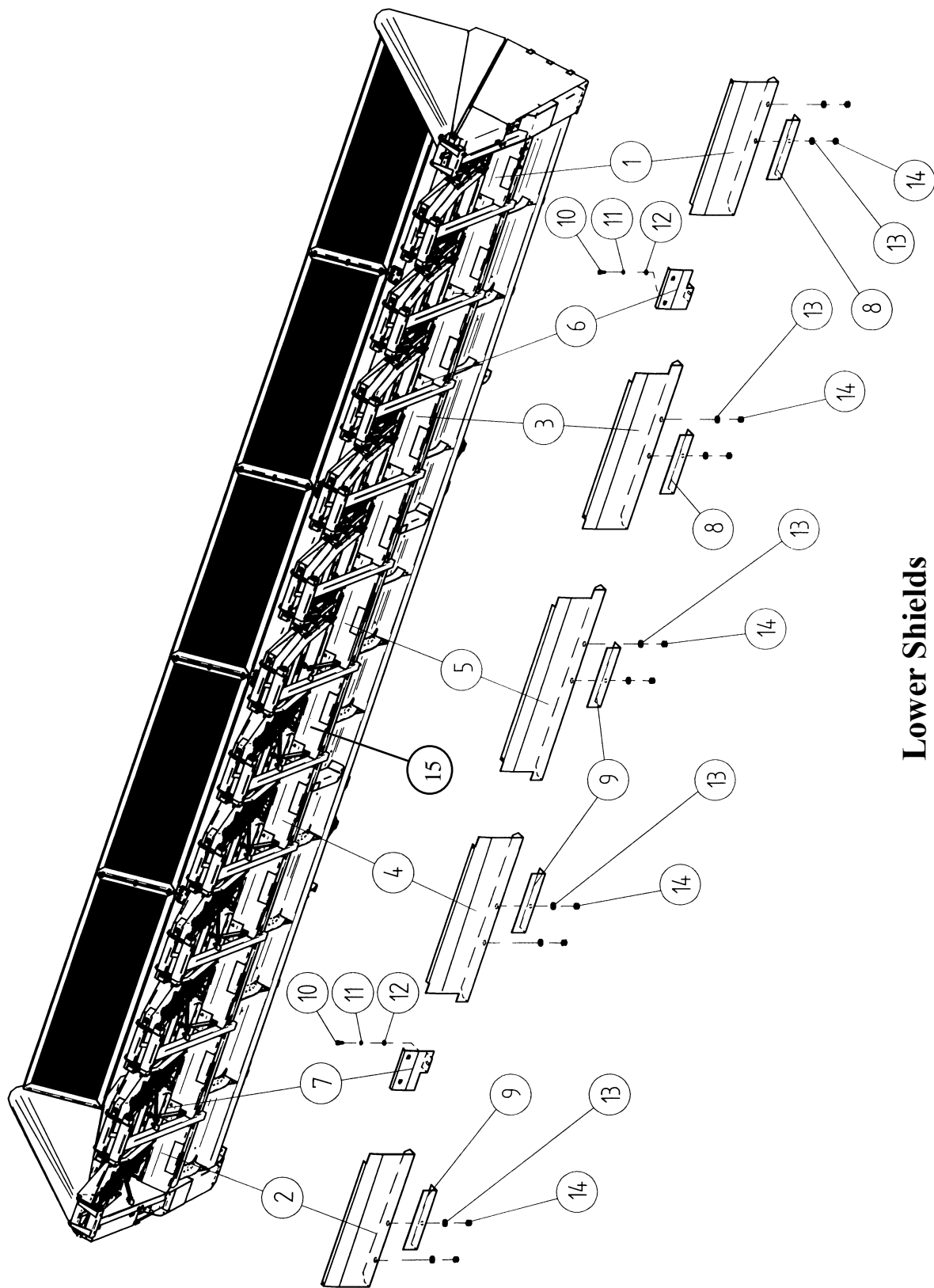
22 Catch Pan Assembly (LH)

Vibrating Catch Pan Assemblies

Vibrating Catch Pan Assy's, 20"

027

Item #	Description	Part #	Pieces per header by model number				Remarks
			#1220	#1620	#1820	#2420	
22	Vibrating catch pan assy, LH	01-001-807	5	7	8	11	
18	Filler plate, LH	14-006-232	6	8	9	12	
23	Vibrating catch pan assy, RH	01-001-808	5	7	8	11	
19	Filler plate, RH	14-006-231	6	8	9	12	
24	Vibrating catch pan assy, center	01-001-809	1	1	1	1	
	Total pans		11	15	17	23	
	Total filler plates		12	16	18	24	
			Pieces per individual unit				
1	Catch pan wldmt, LH - 20"	01-015-807	1	1	1	1	Either
2	Catch pan wldmt, RH - 20"	01-015-808	1	1	1	1	"
3	Catch pan wldmt, center -20"	01-015-809	1	1	1	1	"
4	Bracket, vib. table, 20"	14-015-810	1	1	1	1	
5	Rubber, foot - cushion	61-016-807	2	2	2	2	
6	Screw, hex hd cap, grade 8.8	M10x20	2	2	2	2	
7	Washer, flat	M10FW	4	4	4	4	
8	Washer, lock	M10LW	2	2	2	2	
9	Nut, hex, grade 8	M10HN	2	2	2	2	
10	Spring (see remarks col.)	50-009-265	2	2	2	2	(2) per on center pan only
21	Spring, shorter (" " ")	50-009-266	1	1	1	1	(1) per on all LH & RH pans
11	Pin, vibrating table	31-004-574	2	2	2	2	
12	Screw, hex hd cap, grade 8.8	M8x35	2	2	2	2	
13	Rubber flap, 20" (LH & RH)	65-015-816	1	1	1	1	
14	Flap mount, 20" (LH & RH)	13-015-817	1	1	1	1	
15	Rivet, pop, d=4, 8x16 (3/16)	04-8x16N	8	8	8	8	increase to (14), center pan only
16	Rubber flap, center - 20"	65-015-824	1	1	1	1	
17	Flap mount, center - 20"	13-015-825	1	1	1	1	
20	Washer, flat - #10 SAE	900-11177	3	3	3	3	(6) for center pan only

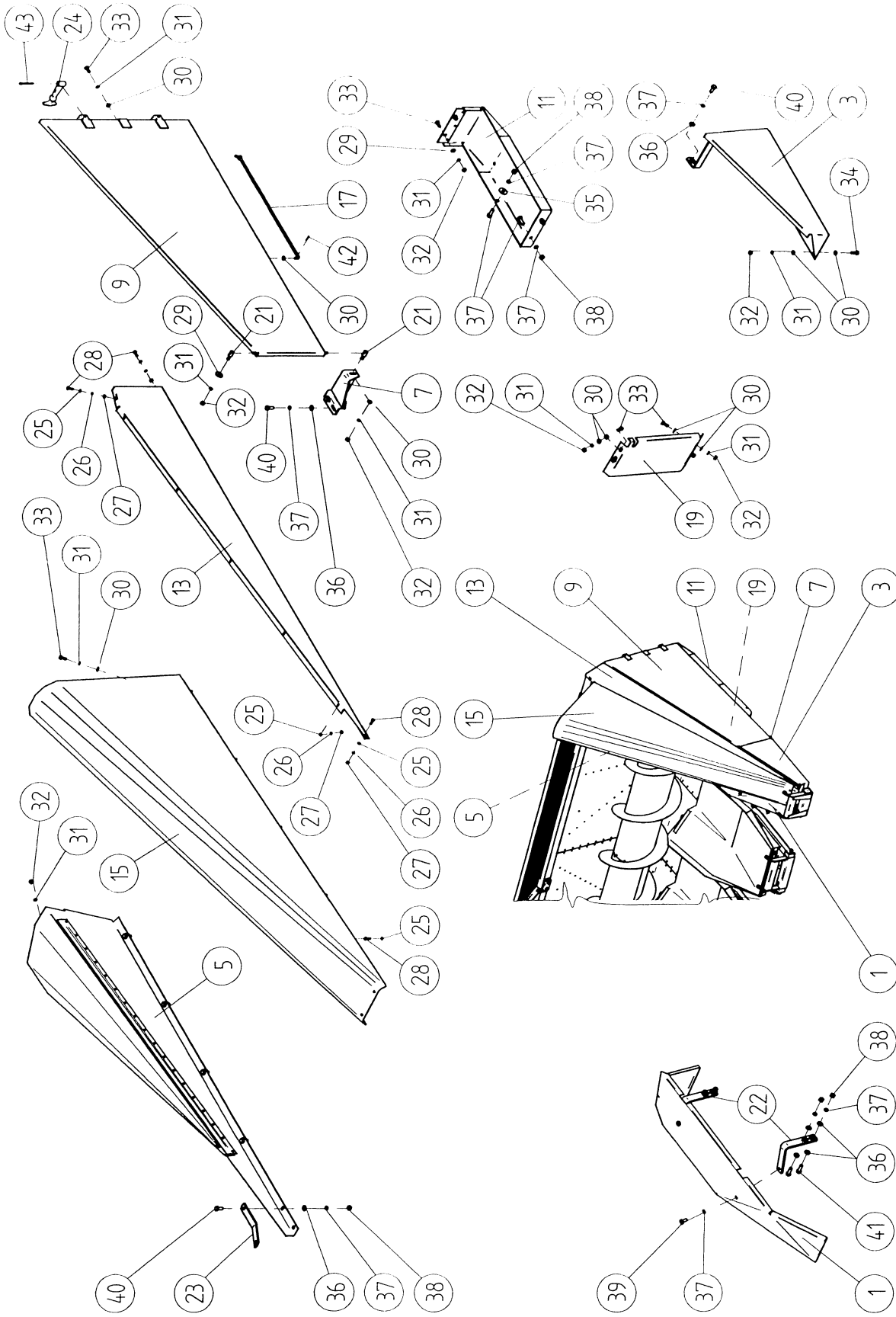


Lower Shields

Lower Shields

028

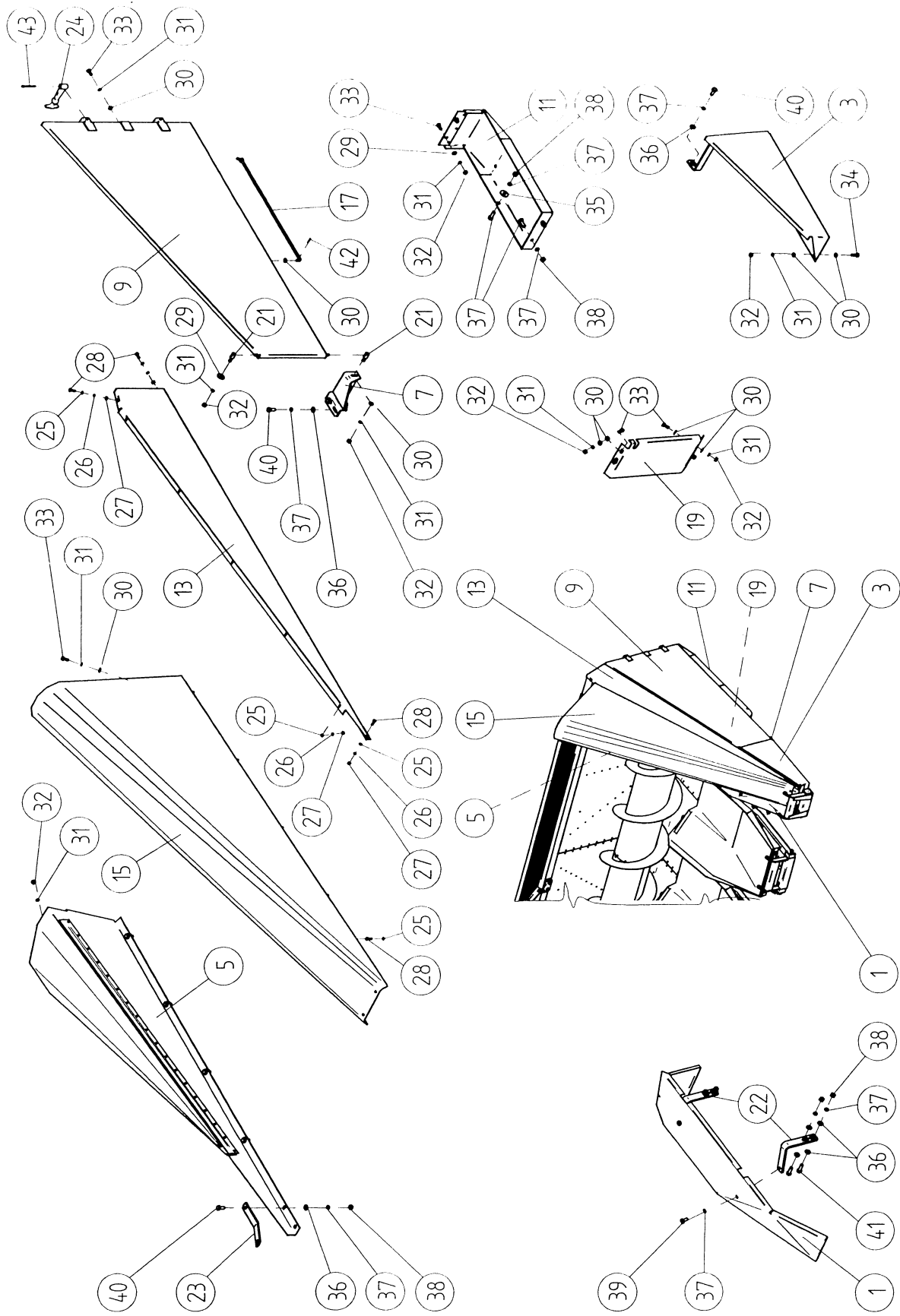
Item #	Description	Part #	Pieces per header by model number				Remarks
			#1220	#1620	#1820	#2420	
	Lower shield assy, 1220	01-001-524	1				
	Lower shield assy, 1620	01-001-523		1			
	Lower shield assy, 1820	01-001-527			1		
	Lower shield assy, 2420	01-001-529				1	
1	Shield, outer - LH - 20"	14-015-837	1	1	1	1	
2	Shield, outer - RH - 20"	14-015-838	1	1	1	1	
3	Shield, LH - 20"	14-015-839	4	6	7	12	
4	Shield, RH - 20"	14-015-840	4	6	7	12	
5	Shield, center - LH - 20"	14-015-841	1	1	1	1	
6	Shield, connector shaft - LH	14-009-385	6	8	9	12	
7	Shield, connector shaft - RH	14-009-386	5	7	8	11	
8	Wear plate, LH	14-016-939	6	8	9	10	
9	Wear plate, RH	14-016-940	6	8	9	10	
10	Screw, hex.cap	M8x20	11	15	17	23	
11	Washer, flat	M8FW	11	15	17	23	
12	Washer, lock	M8LW	11	15	17	23	
13	Washer flat	M12FW	24	32	36	48	
14	Nut, hex	M12HN	24	32	36	48	
15	Shield, center - RH - 20"	14-015-842	1	1	1	1	



Shields, Left Hand

Item #	Description	Part #	Pieces per header by model number				Remarks
			#1220	#1620	#1820	#2420	
	End shield assy, 20" - LH & RH	01-001-531	-	-	-	-	P/N, both LH & RH
1	Plate guide (LH)	02-016-813	1	1	1	1	
3	Insert (LH)	02-016-501	1	1	1	1	
5	Plate guide (LH)	02-016-503	1	1	1	1	
7	Door hinge (LH)	02-016-525	1	1	1	1	
9	Door (LH)	02-016-531	1	1	1	1	
11	Slide plate (LH)	02-016-509	1	1	1	1	
13	Outer plate (LH)	02-016-567	1	1	1	1	
15	Plate, side, upper (LH)	02-016-541	1	1	1	1	
17	Rod, reinforcement (LH)	02-016-530	1	1	1	1	
19	Plate lower (LH)	14-016-519	1	1	1	1	
			Common to LH & RH				
21	Hinge, pivot - door	12-016-518	2	2	2	2	
22	Plate bracket	12-005-594	2	2	2	2	
23	Bracket	13-016-570	1	1	1	1	
24	Rubber strap assy	100-3-4417 *	2	2	2	2	
25	Washer, flat	M6FW	16	16	16	16	
26	Washer, lock	M6LW	8	8	8	8	
27	Nut, hex, grade 8	M6HN	8	8	8	8	
28	Screw, hex hd cap, grade 8.8	M6x20	8	8	8	8	
29	Washer (previously used wood)	M8FW	2	2	2	2	
30	Washer, flat	M8FW	15	15	15	15	

* Sheyenne Part No.



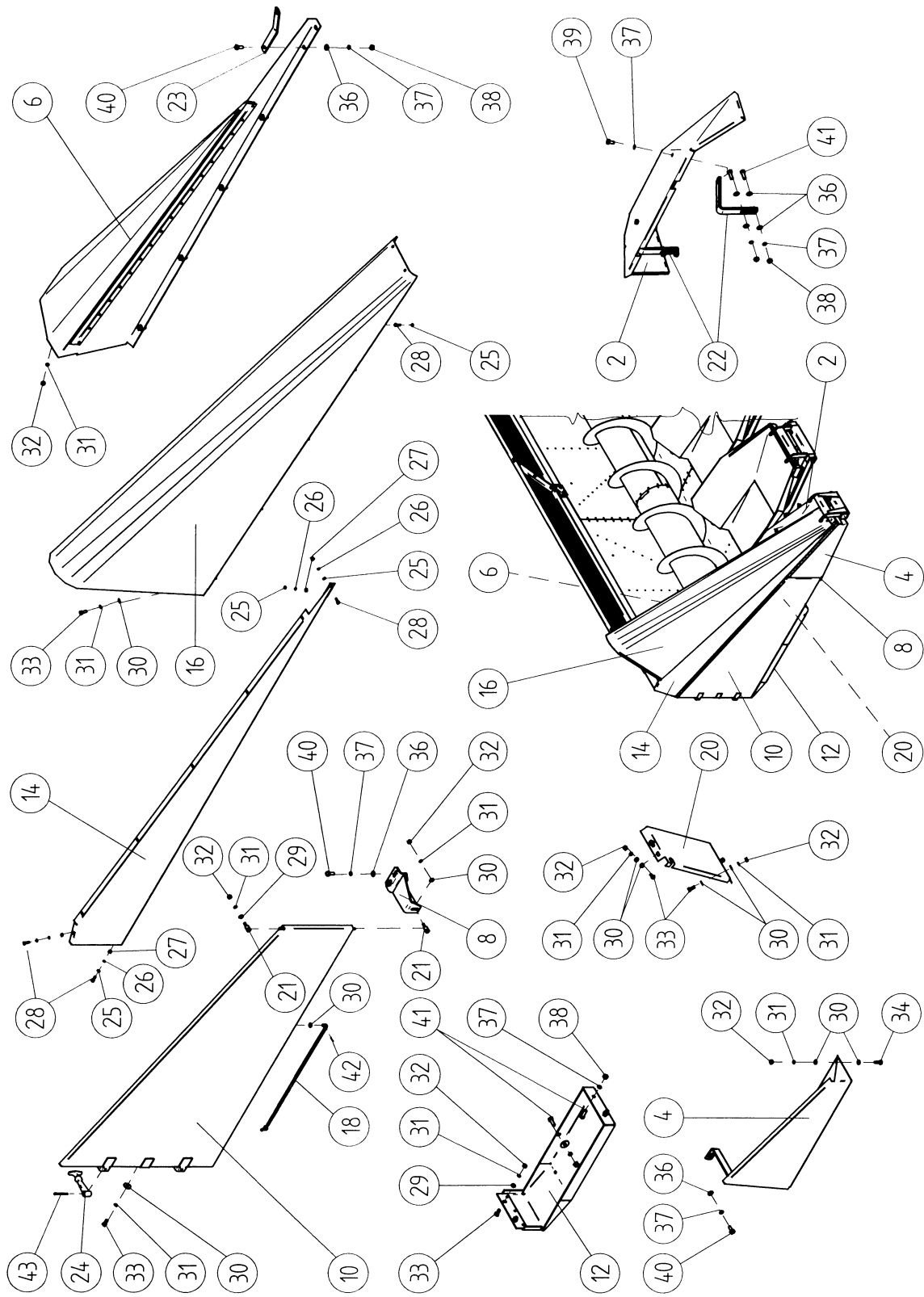
Shields, Left Hand

Shields, Left Hand (cont.)

030

Item #	Description	Part #	Pieces per header by model number					Remarks
			#1220	#1620	#1820	#2420		
31	Washer, lock	M8LW	13	13	13	13		
32	Nut, hex, grade 8	M8HN	11	11	11	11		
33	Screw, hex hd cap, grade 8.8	M8x20	9	9	9	9		
34	Screw, hex hd cap, grade 8.8	M8x25	2	2	2	2		
35	Washer (previously used wood)	M10FW	1	1	1	1		
36	Washer, flat	M10FW	22	22	22	22		
37	Washer, lock	M10LW	17	17	17	17		
38	Nut, hex, grade 8	M10HN	12	12	12	12		
39	Screw, hex hd cap, grade 8.8	M10x20	2	2	2	2		
40	Screw, hex hd cap, grade 8.8	M10x25	8	8	8	8		
41	Screw, hex hd cap, grade 8.8	M10x30	13	13	13	13		
42	Cotter pin, 1/16 x 3/4	900-22974 *	2	2	2	2		
43	Cotter pin (Hdwr with strap)							

* Sheyenne part number



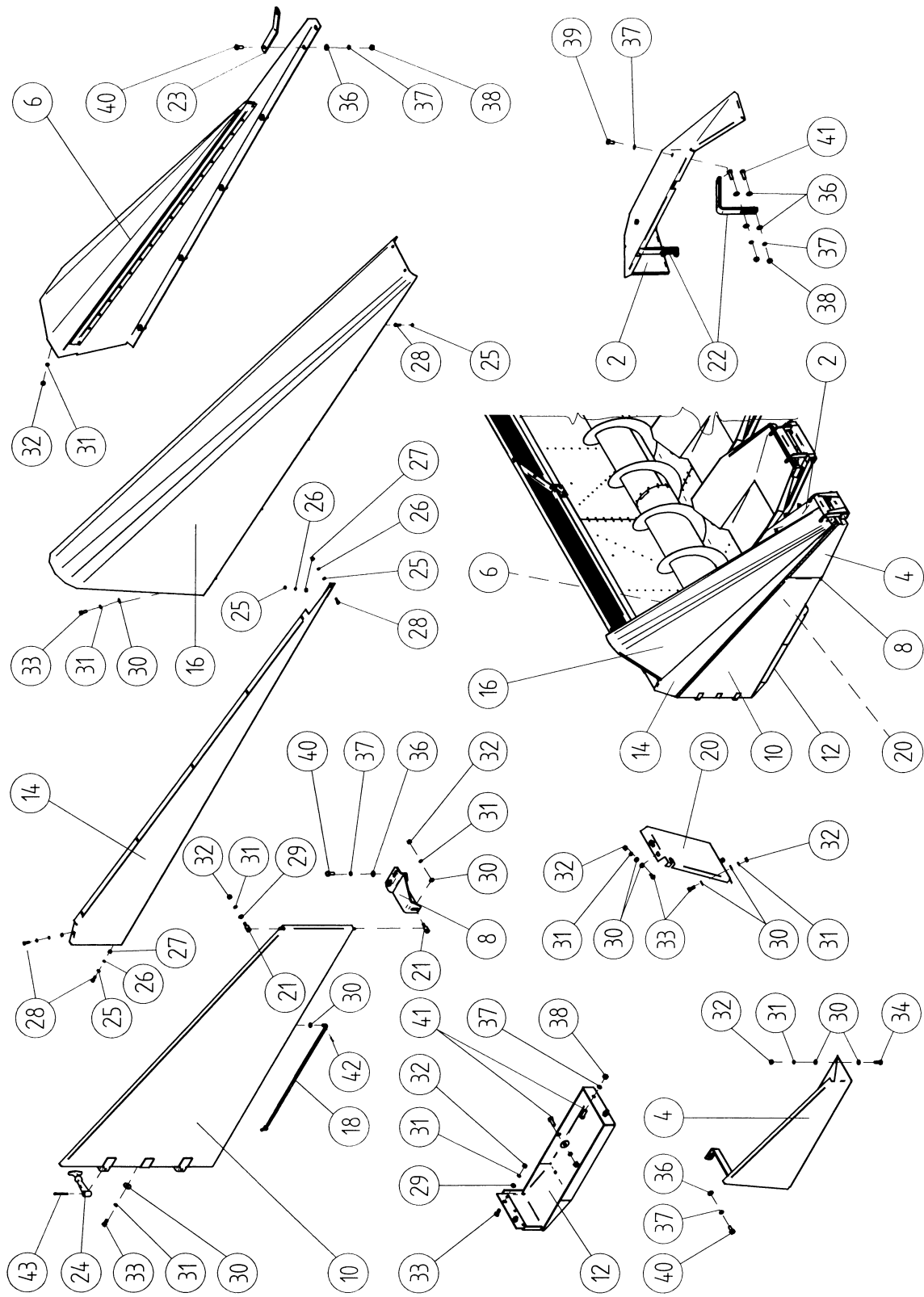
Shields, Right Hand

Shields, Right Hand

031

Item #	Description	Part #	Pieces per header by model number				Remarks
			#1220	#1620	#1820	#2420	
	End shield assy, 20" - LH & RH	01-001-531	-	-	-	-	P/N, both LH & RH
2	Plate guide (RH)	02-016-814	1	1	1	1	
4	Insert (RH)	02-016-502	1	1	1	1	
6	Plate guide (RH)	02-016-504	1	1	1	1	
8	Door hinge (RH)	02-016-526	1	1	1	1	
10	Door (RH)	02-016-532	1	1	1	1	
12	Slide plate (RH)	02-016-510	1	1	1	1	
14	Outer plate (RH)	02-016-568	1	1	1	1	
16	Plate, side, upper (RH)	02-016-542	1	1	1	1	
18	Rod, reinforcement (RH)	02-016-570	1	1	1	1	
20	Plate lower (RH)	14-016-520	1	1	1	1	
			Common to LH & RH				
21	Hinge, pivot - door	12-016-518	2	2	2	2	
22	Plate bracket	12-005-594	2	2	2	2	
23	Bracket	13-016-570	1	1	1	1	
24	Rubber strap assy	100-3-4417 *	2	2	2	2	
25	Washer, flat	M6FW	16	16	16	16	
26	Washer, lock	M6LW	8	8	8	8	
27	Nut, hex, grade 8	M6HN	8	8	8	8	
28	Screw, hex hd cap, grade 8.8	M6x20	8	8	8	8	
29	Washer (previously used wood)	M8FW	2	2	2	2	
30	Washer, flat	M8FW	15	15	15	15	
31	Washer, lock	M8LW	13	13	13	13	

* Sheyenne Part No.



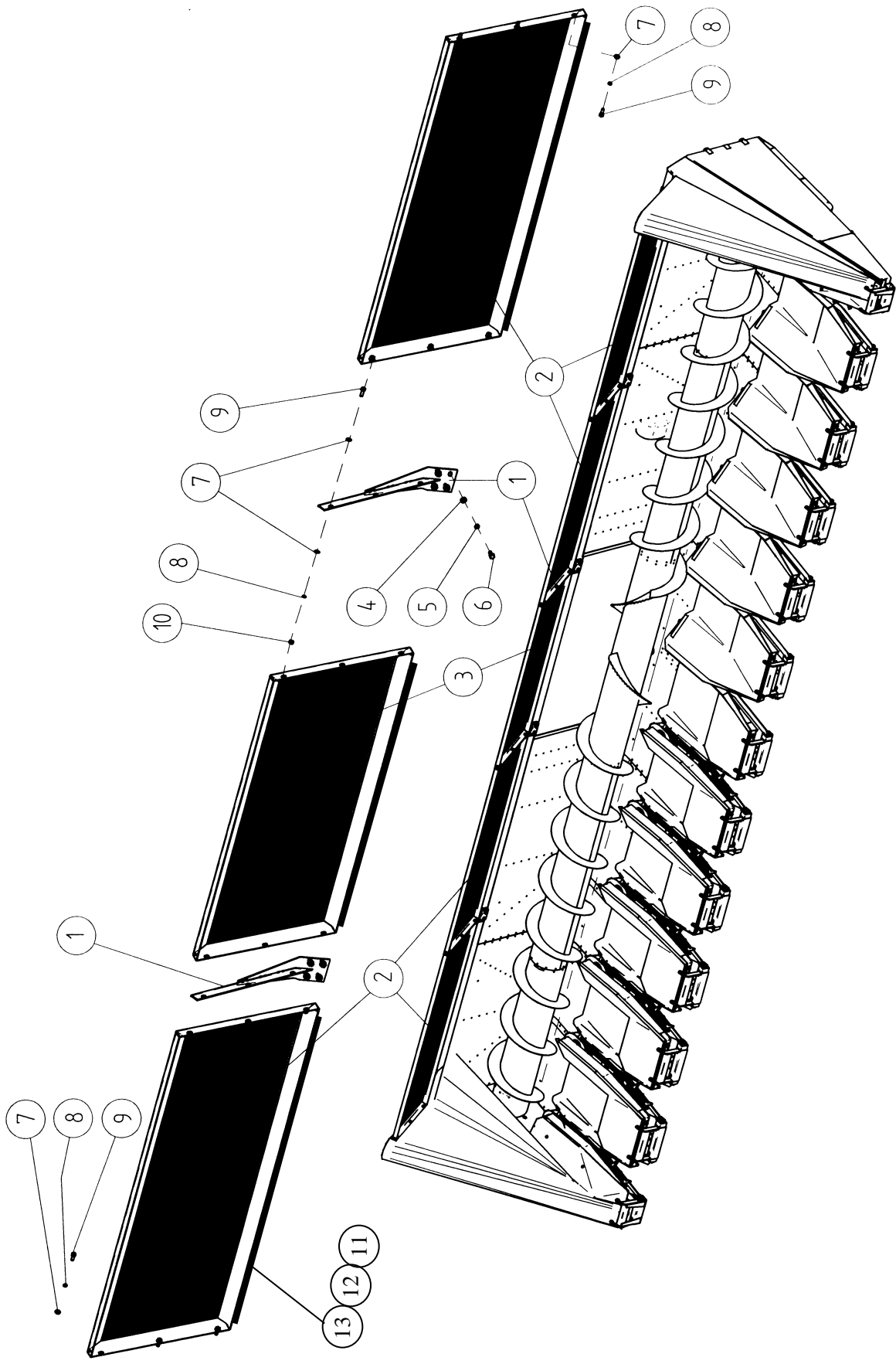
Shields, Right Hand

Shield, Right Hand (cont.)

032

Item #	Description	Part #	Pieces per header by model number				Remarks
			#1220	#1620	#1820	#2420	
32	Nut, hex, grade 8	M8HN	11	11	11	11	
33	Screw, hex hd cap, grade 8.8	M8x20	9	9	9	9	
34	Screw, hex hd cap, grade 8.8	M8x25	2	2	2	2	
35	Washer (previously used wood)	M10FW	1	1	1	1	
36	Washer, flat	M10FW	22	22	22	22	
37	Washer, lock	M10LW	17	17	17	17	
38	Nut, hex, grade 8	M10HN	12	12	12	12	
39	Screw, hex hd cap, grade 8.8	M10x20	2	2	2	2	
40	Screw, hex hd cap, grade 8.8	M10x25	8	8	8	8	
41	Screw, hex hd cap, grade 8.8	M10x30	13	13	13	13	
42	Cotter pin, 1/16 X 3/4	900-22974 *	2	2	2	2	
43	Cotter pin (hdwr with strap)						

* Sheyenne part number



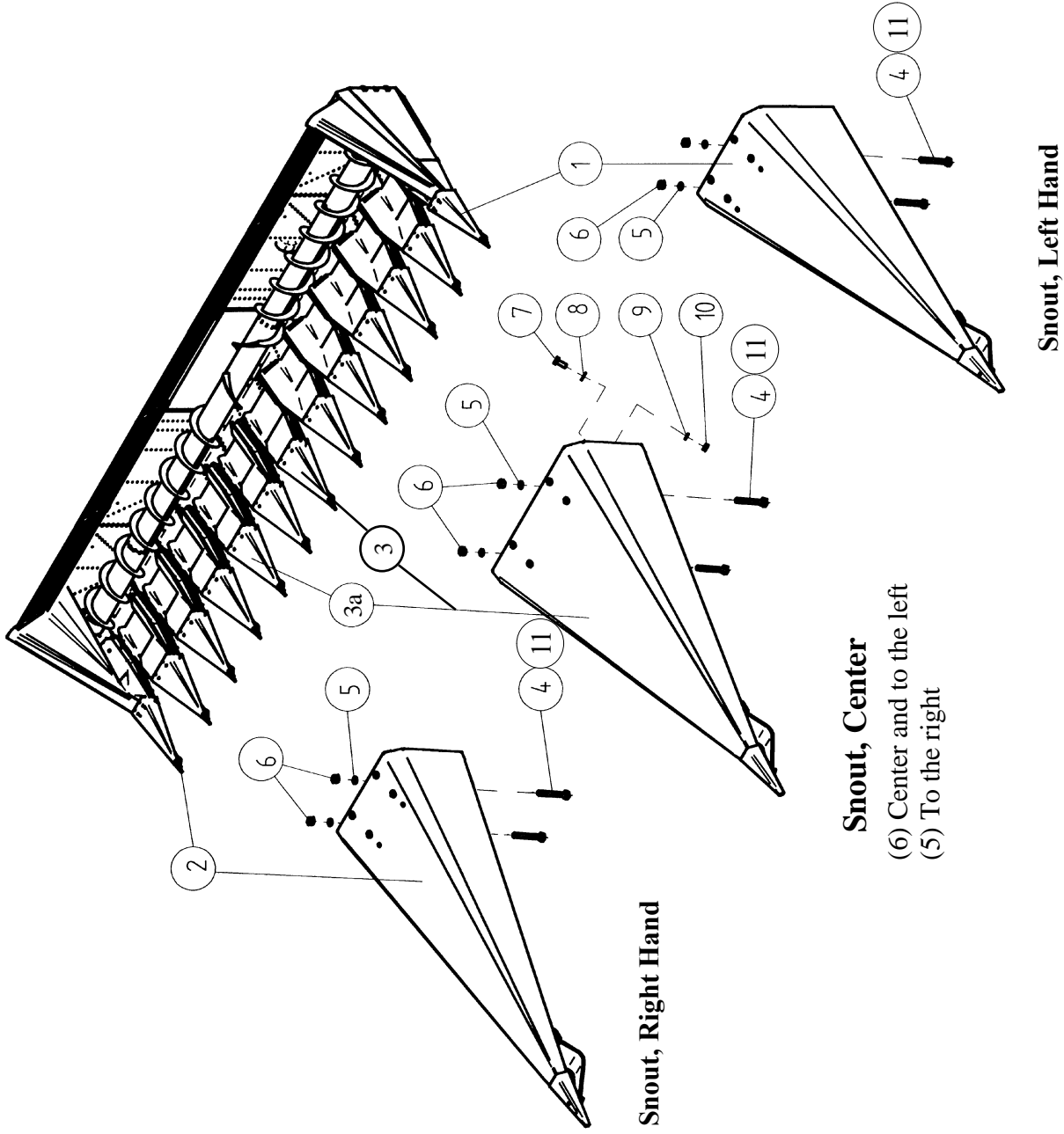
Rear Screen Assembly

Rear Screen Assembly

033

Item #	Description	Part #	Pieces per header by model number				Remarks
			#1220	#1620	#1820	#2420	
	Rear screen assy - 1220	10-015-835	1				
	Rear screen assy - 1620	01-001-519		1			
	Rear screen assy - 1820	01-001-505			1		
	Rear screen assy - 2420	01-001-508				1	
1	Screen bar mount assy	02-006-133	2	4	4	6	
2	Outer frame, wldmt - 1220	02-015-844	2				
2	Outer frame, wldmt - 1620	02-018-843		2			
2	Outer frame, w/a, 16, 18, 2420	02-018-844		2	4	4	
2	Outer frame, wldmt - 2420	02-018-845				2	Outer ends, 2420 only
3	Center frame, wldmt	02-006-431	1	1	1	1	
4	Washer, flat	M12FW	8	14	16	24	
5	Washer, lock	M12LW	8	14	16	24	
6	Screw, hex hd cap, grade 8.8	M12x30	8	14	16	24	
7	Washer, flat	M10FW	18	26	30	42	
8	Washer, lock	M10LW	12	16	18	24	
9	Screw, hex hd cap, grade 8.8	M10x30	12	16	18	24	
10	Nut, hex, grade 8	M10HN	6	10	12	18	
11	Rivet, pop - 3/16	04-8x16N	25	31	35	50	
12	# 10x.75 Fender washer	900-11197 *	25	31	35	50	
13	Rubber flap, 1220 screen	65-016-508	1				
13	Rubber flap, screen, 1620, 1820	65-016-511		1	1		
13	Rubber flap, 2420 screen	65-016-518				1	

* Sheyenne part number



Snout, Right Hand

Snout, Center

- (6) Center and to the left
- (5) To the right

Snout, Left Hand

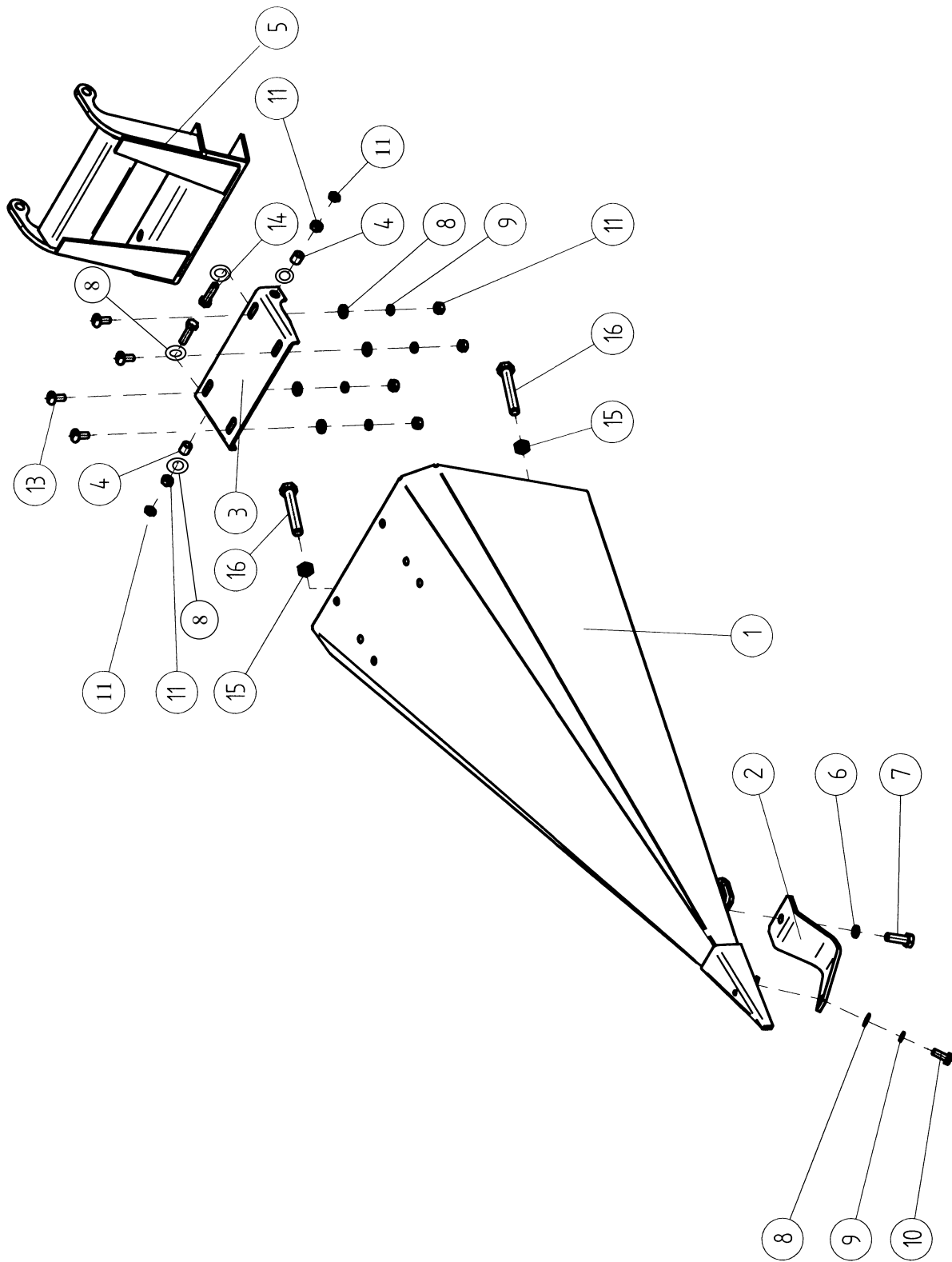
Snouts

Snout Set, 20"

034

Item #	Description	Part #	Pieces per header by model number				Remarks
			#1220	#1620	#1820	#2420	
	Snout Set, 1220	01-001-747	1				
	Snout Set, 1620	01-001-751		1			
	Snout Set, 1820	01-001-750			1		
	Snout Set, 2420	01-001-752				1	
1	Snout assy, end row - LH - 20"	01-001-774	1	1	1	1	USA
2	Snout assy, end row - RH - 20"	01-001-778	1	1	1	1	USA
3	Snout assy, intermd - 20" (center&LH)	01-001-857	6	8	9	12	USA
3a	Snout assy, intermd - 20" (RH)	01-001-858	5	8	8	11	USA
1	Snout, welded (LH) - 20"						EU *
2	Snout, welded (RH) - 20"						EU *
3	Snout, welded (center) - 20"						EU *
4	Screw, hex cap	M12x90	26	34	38	50	
5	Washer, lock	M12LW	26	34	38	50	
6	Nut, hex	M12HN	26	34	38	50	
7	Screw, hex.cap	M10x25	11	15	17	23	
8	Washer, flat	M10FW	22	30	34	46	
9	Washer, lock	M10LW	11	15	17	23	
10	Nut, hex	M10HN	11	15	17	23	
11	Washer, flat	M12FW	52	68	76	100	

* These European service parts are still available, though limited



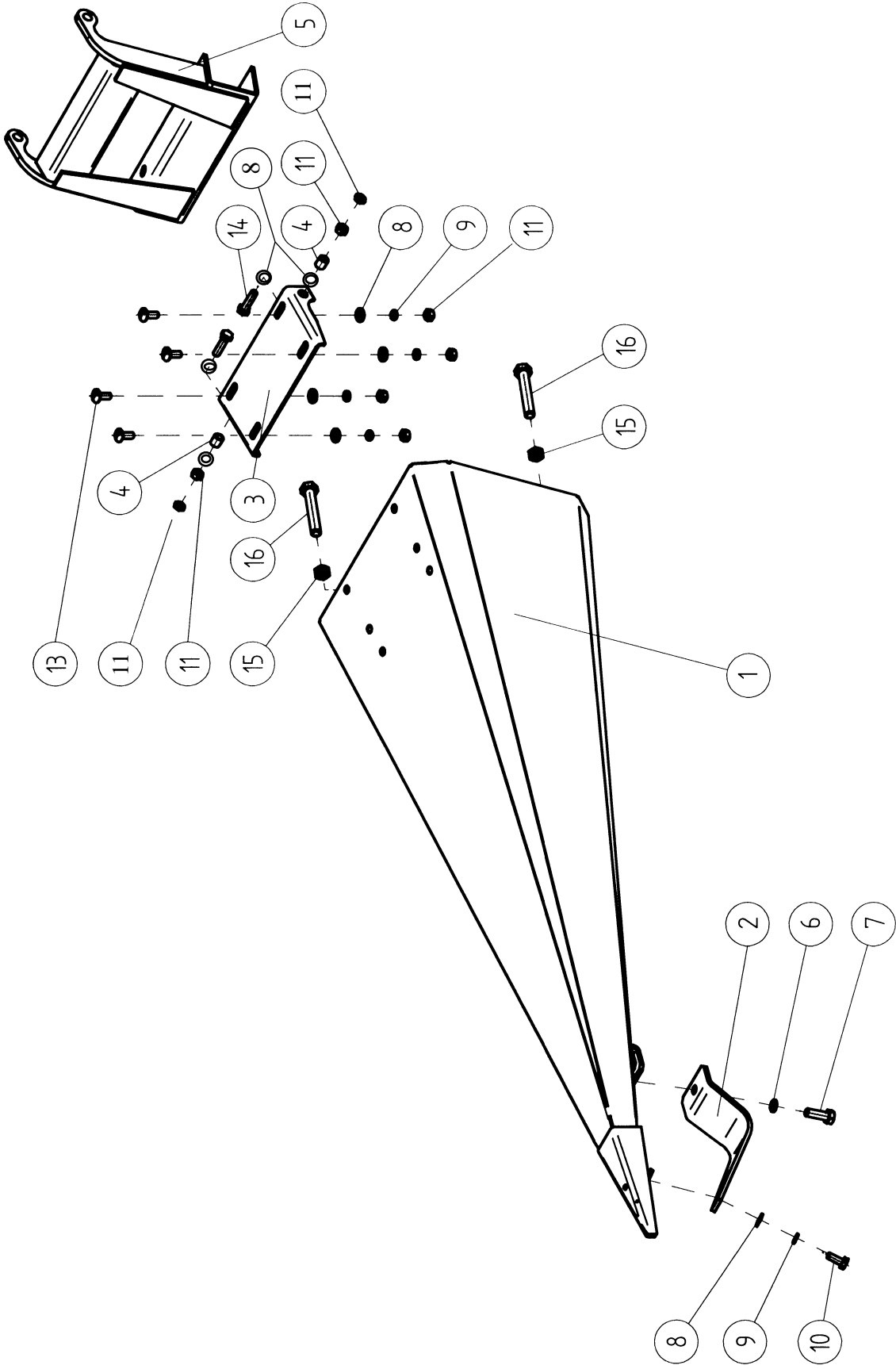
Snout Assy, End Row - LH - 20 "

Snout assy, end row - LH - 20"

035

Item #	Description	Part #	Pieces per header by model number				Remarks
			#1220	#1620	#1820	#2420	
	Snout assy, end row - LH - 20"	01-001-774	1	1	1	1	USA
	Snout assy, end row - LH - 20"	-					EU *
1	Divider wldmt, end row - LH	10-016-771	1	1	1	1	USA
	Divider wldmt, end row - LH	-					EU
2	Skid shoe, LH - low profile	14-016-788S	1	1	1	1	
3	Bracket, end divider mount	14-016-579	1	1	1	1	
4	Bushing, divider mount	31-016-775	2	2	2	2	
5	Bracket, mtg - tip-up - end row	02-015-860	1	1	1	1	
6	Washer, lock	M10LW	1	1	1	1	
7	Screw, hex hd cap, grade 8.8	M10x30	1	1	1	1	
8	Washer, flat	M8FW	9	9	9	9	
9	Washer, lock	M8LW	5	5	5	5	
10	Screw, hex hd cap, grade 8.8	M8x20	1	1	1	1	
11	Nut, hex	M8HN	8	8	8	8	
12	(number not used)						
13	Bolt, pan head - slotted	M8x20SL	4	4	4	4	
14	Screw, hex hd cap, grade 8.8	M8x30	2	2	2	2	
15	Nut, hex - low profile (jam nut)	M12LHN	2	2	2	2	
16	Screw, hex hd cap, grade 8.8	M12x100	2	2	2	2	

* These European service parts are still available, though limited



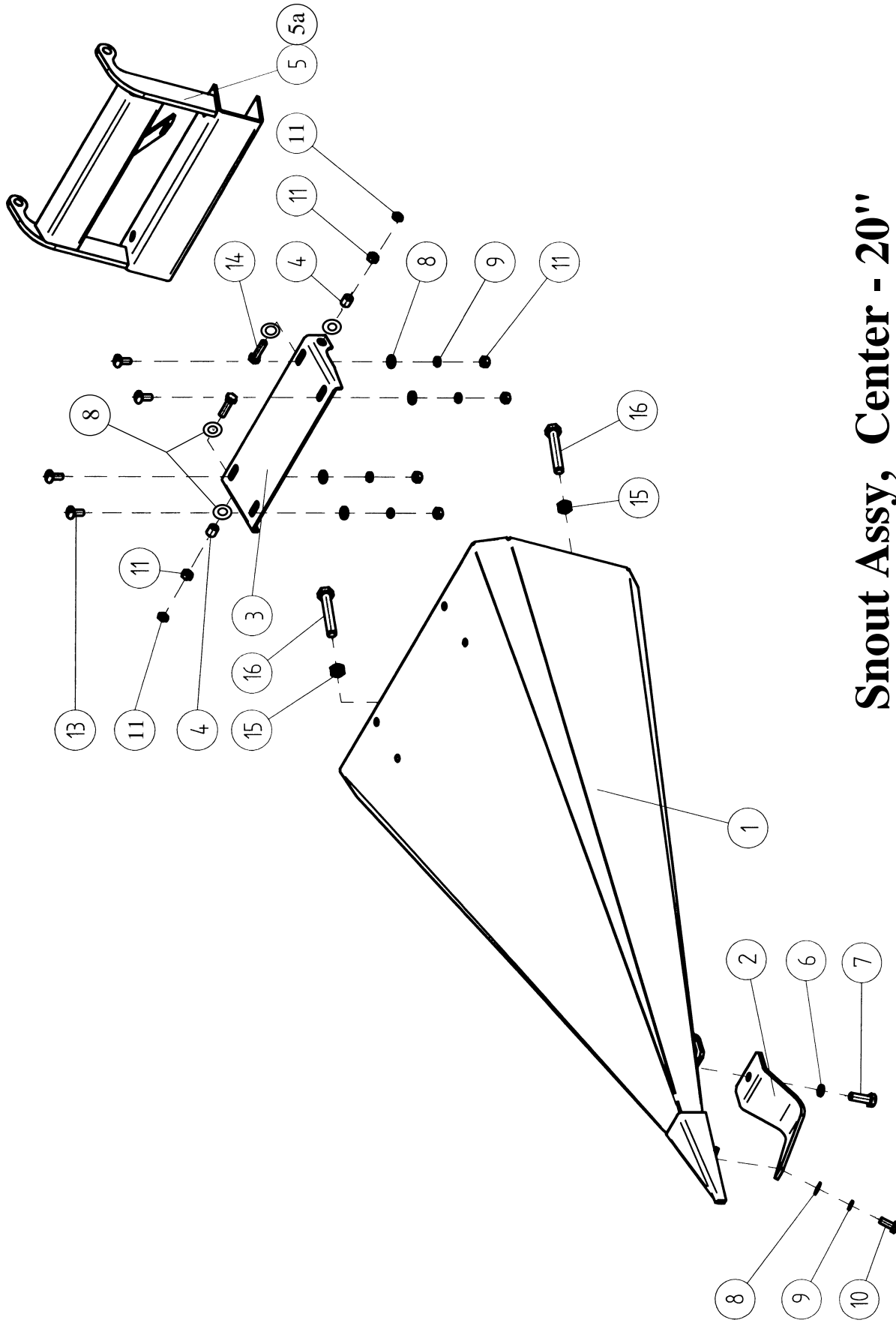
Snout Assy, End Row - RH - 20"

Snout assy, end row - RH - 20"

036

Item #	Description	Part #	Pieces per header by model number				Remarks
			#1220	#1620	#1820	#1820	
	Snout assy, end row - RH - 20"	01-001-778	1	1	1	1	USA
	Snout assy, end row - RH - 20"						EU *
1	Divider wldmt, end row - RH	10-016-772	1	1	1	1	USA
	Divider wldmt, end row - RH						EU
2	Skid shoe, RH - low profile	14-016-789S	1	1	1	1	
3	Bracket, end divider mount	14-016-579	1	1	1	1	
4	Bushing, divider mount	31-016-775	2	2	2	2	
5	Bracket, mfg - tip-up - end row	02-015-860	1	1	1	1	
6	Washer, lock	M10LW	1	1	1	1	
7	Screw, hex hd cap - grade 8.8	M10x30	1	1	1	1	
8	Washer, flat	M8FW	9	9	9	9	
9	Washer, lock	M8LW	5	5	5	5	
10	Screw, hex hd cap - grade 8.8	M8x20	1	1	1	1	
11	Nut, hex	M8HN	8	8	8	8	
12	(number not used)						
13	Bolt, pan head - slotted	M8x20SL	4	4	4	4	
14	Screw, hex hd cap, grade 8.8	M8x30	2	2	2	2	
15	Nut, hex - low profile (jam nut)	M12LHN	2	2	2	2	
16	Screw, hex hd cap, grade 8.8	M12x100	2	2	2	2	

* These European service parts are still available, though limited



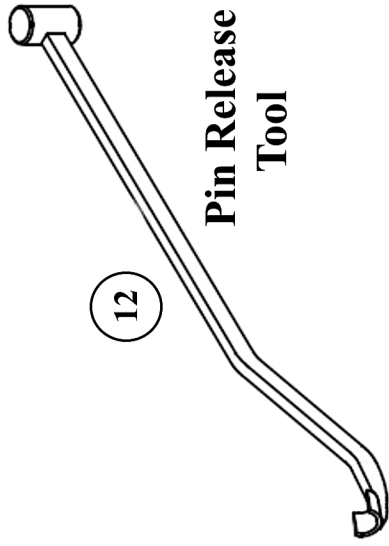
Snout Assy, Center - 20"

One unit mounts in the center and to the left,
 Other unit mounts to the right

Snout assy, Center - to Left & Right - 20"

037

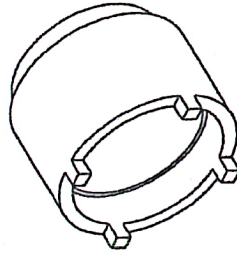
Item #	Description	Part #	Pieces per header by model number				Remarks
			#1220	#1620	#1820	#2420	
	Snout assy, Center & to Left - 20"	01-001-857	6	8	9	12	Center & rows on left half
	Snout assy, to Right of center - 20"	01-001-858	5	7	8	11	Rows on right half
			Pieces per individual unit				
1	Divider (cone only) - 20"	10-015-860	1	1	1	1	Common all across header
2	Skid shoe, low profile	14-015-869	1	1	1	1	" " " "
3	Bracket, end divider mount	14-015-870	1	1	1	1	" " " "
4	Bushing, divider mount - 20"	31-016-776	2	2	2	2	" " " "
5	Bracket, mtg - tip-up - Center & Left	02-015-857	1	1	1	1	Center & rows on left half
5a	Bracket, mtg - tip-up - Right	02-015-858	1	1	1	1	Rows on right half
6	Washer, lock	M10LW	1	1	1	1	
7	Screw, hex hd cap, grade 8.8	M10x30	1	1	1	1	
8	Washer, flat	M8FW	9	9	9	9	
9	Washer, lock	M8LW	5	5	5	5	
10	Screw, hex hd cap, grade 8.8	M8x20	1	1	1	1	
11	Nut, hex	M8HN	8	8	8	8	
12	(number not used)						
13	Bolt, pan head - slotted	M8x20SL	4	4	4	4	
14	Screw, hex hd cap, grade 8.8	M8x30	2	2	2	2	
15	Nut, hex - low profile (jam nut)	M12LHN	2	2	2	2	
16	Screw, hex hd cap, grade 8.8	M12x100	2	2	2	2	



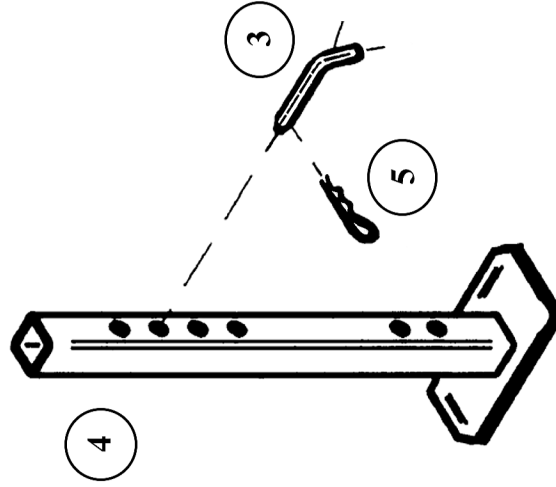
Pin Release Tool

12

1

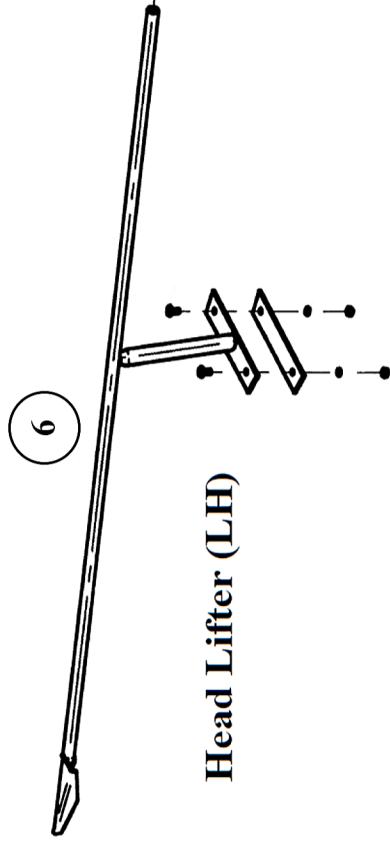


Rotary Cutter Torque Tool



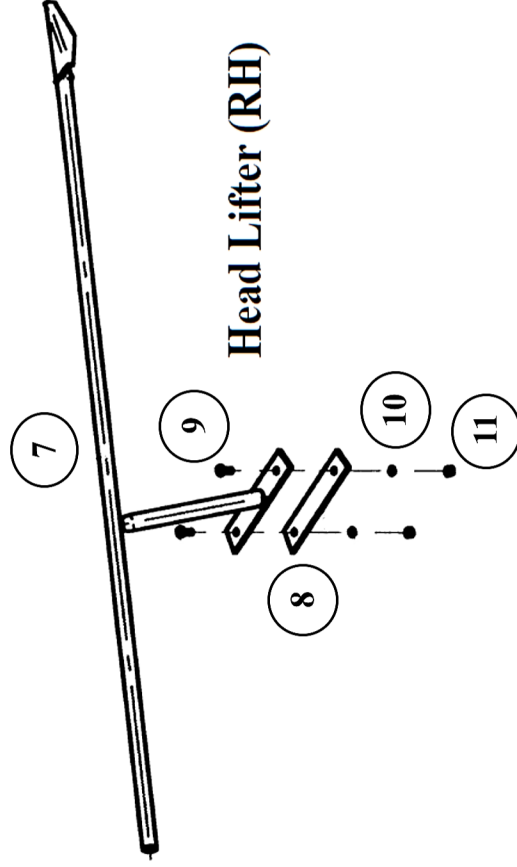
Adjustable Support Stand

2



Head Lifter (LH)

6



Head Lifter (RH)

7

8

9

10

11

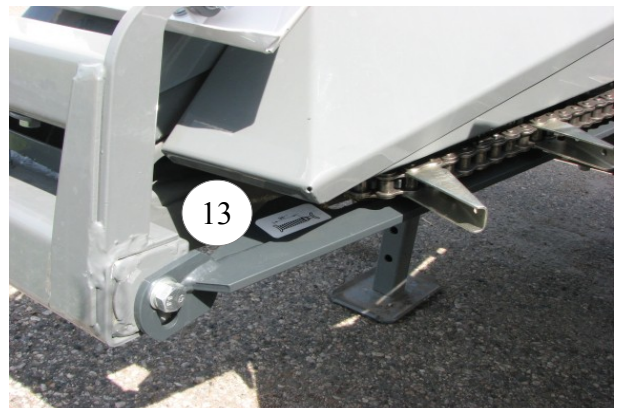
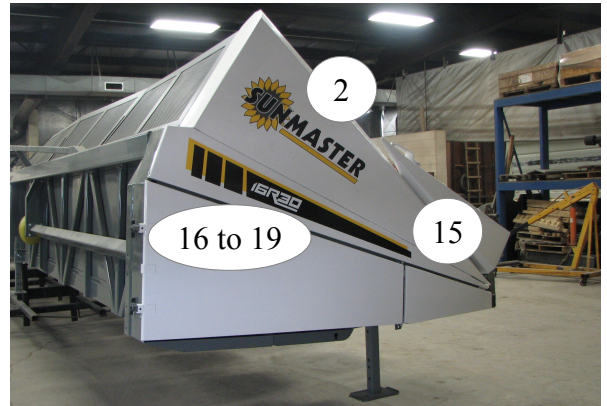
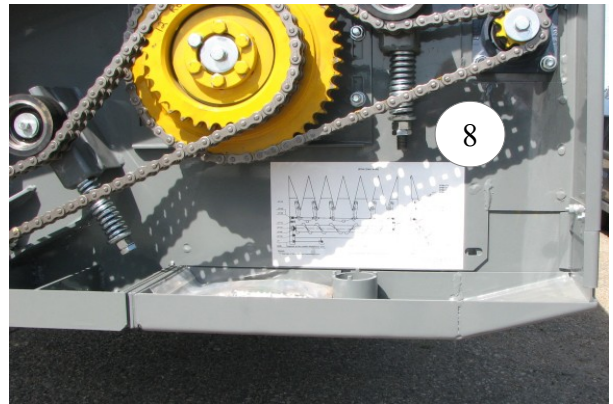
Special Tools - Detachable & Optional Parts

Special Tools - Detachable & Optional Parts

038

Item #	Description	Part #	Pieces per Header by Model #				Remarks
			#1220	#1620	#1820	#2420	
1	Tool, torque - rotary cutter	02-016-139	1	1	1	1	Torque slip clutches to 120 ft lb * (tool is in spare parts kit)
2	Stand assy, support, adjustable	01-001-041	>	>	>	>	Part number for 1 assy, (four per header, shown here for breakdown)
3	Pin, jack stand	905-23028	4	4	4	4	
4	Stand, support	02-011-341	4	4	4	4	
5	Key, hairpin	900-25005	4	4	4	4	
6	Head lifter, welded - LH	10-016-774	1	1	1	1	Optional feature, to aid left and
7	Head lifter, welded - RH	10-016-767	1	1	1	1	right end dividers
8	Bracket, mounting, head lifter	13-016-803	2	2	2	2	
9	Screw, hex hd cap, grade 8.8	M8x20	4	4	4	4	
10	Washer, lock	M8LW	4	4	4	4	
11	Nut, hex, grade 8	M8HN	4	4	4	4	
12	Pin release tool, curved	70-001-101	1	1	1	1	(For 20 and 22 inch row headers)

* Used on item no. 18, pp 48 & 49



Decals

039

Item #	Description	Part #	Pieces per Header by Model #				Remarks
			#1220	#1620	#1820	#2420	
	Decal set, 1220	10-016-042	1				
	Decal set, 1620	01-001-269		1			
	Decal set, 1820	01-001-270			1		
	Decal set, 2420	01-001-271				1	
1	Decal, moving parts - keep hands ---	69-016-204	2	2	2	2	
2	Decal, Sunmaster - Sunflower	69-016-206	2	2	2	2	Logo (2014)
3	Decal, crane hook	69-016-050	2	2	2	2	
4	Decal, rotating driveline	69-016-203	1	2	2	2	
5	Decal, check bolts and nuts	69-016-054	1	1	1	1	
6	Decal, stay clear of machine	69-016-058	1	1	1	1	
7	Decal, read operators manual	69-016-055	1	1	1	1	
8	Decal, drive system	69-016-048	1	2	2	2	
9	Decal, keep hands, feet, hair, clothing	69-016-059	1	1	1	1	
10	Decal, stay clear of machine	69-016-057	1	1	1	1	
11	Decal, read operators manual	69-016-051	1	1	1	1	
12	Decal, manufacturer	69-016-063	1	1	1	1	
13	Decal, setting - tension	69-016-049	12	16	18	24	
14	Decal, stripe - left side	69-016-207	1	1	1	1	
15	Decal, stripe - right side	69-016-208	1	1	1	1	
16	Decal, 12R20 - model	69-016-214	2				
17	Decal, 16R20 - model	69-016-215		2			
18	Decal, 18R20 - model	69-016-216			2		
19	Decal, 24R20 - model	69-016-217				2	

Kit No. 01-002-001

Suggested **DEALER PARTS KIT** for the Sunmaster Header

A list of parts that may become worn in use or be damaged.

20" manual

Seq	Qty / Kit	Part Number	Part Name	Item Number	Page Found
1	2	02-006-035	Hub, blade	11	48 & 49
2	2	06-006-056	Sprocket, bearing assy -17 tooth	6	50 thru 53
3	1	100-3-4417	Rubber strap assy (new part no.)	24	62 thru 68
4	"	801-991	" " " (old part no.)	"	"
5	4	10B2-13	Chain coupler- 13 link- double roller	10a	6 & 7
6	6	13-004-300	Shim, 1mm (new part no.)	5	48 & 49
7	"	2-600-181/A	Washer, gapping (old part no.)	"	"
8	6	13-004-301	Shim, 0.5mm (new part no.)	6	"
9	"	2-600-181/B	Washer, gapping (old part no.)	"	"
10	4	13-004-303L	Lock ring	9	"
11	2	13-004-304	Plate, locking - 5 ext tooth / 2 int tabs	17	"
12	2	13-016-496	Cover, seal	21	12 & 13
13	4	29-004-302	Bushing, upper (new part no.)	8	48 & 49
14	"	2-600-180	" " (old part no.)	"	"
15	4	29-016-911	Disk, upper	14	"
16	4	29-016-912	Plate, pressure	15	"
17	1	30-004-227	Shaft, gearbox - vert. (new part no.)	14	12 & 13
18	"	2-600-243/3	" " " (old part no.)	"	"
19	2	30-MSZ232	Ring, snap	19	12 & 13
20	4	32-004-319	Bushing, cutting blade	20	48 & 49
21	2	33-027-249	Nut, round - (4) slots - M40X1.5	18	"
22	4	34-004-183	Key, flat, round end - 8x7x45mm	16	12 & 13
23	4	34-004-235	Key, flat, round end - 8x7x25mm	13	12 & 13
24	4	51-016-495	Washer, belleville spring	16	48 & 49
25	2	54-006-080	Chain, gathering	26 & 27	50 & 52, 53
26	8	61-016-910	Friction disk, drive	12	48 & 49
27	6	CL10B2	Connector link, dbl - drive assy	11	6 & 7
28	2	M10X80	Screw, hex hd cap, grade 8.8	10	36, 37 & 48, 49
29	4	Z30X40X7	Seal	20	12 & 13

Kit No. 01-002-002

CUSTOMER SPARE PARTS KIT for the Sunmaster Header

Parts that may become worn in use or be damaged.

20" manual

Seq	Qty / Kit	Part Number	Part Name	Item Number	Page Found
1	6	06X22	Rivet	22	48 & 49
2	1	10B2-13	Chain, coupler - 13 link - double	10a & 11	6, 7 & 8, 9
3	2	13-006-037	Cutting blade (sickle section)	21	48 & 49
4	1	CL10B2	Connector link, double - 5/8	11 & 12	6, 7 & 8, 9
5	1	CL12B2	Connector link, double - 3/4	10, 20 & 20	28 thru 33
6		12A-1	" " " (old part no.)	"	"

INDEX

Part Number	Page
6306	13
6306	15
63052RS1	41
100-3-4417	67
100-3-4417	63
24-005-881	11
24-005-881	13
24-024-082	11
24-024-084	11
6206-2RS1	13
01-002-004	5
01-001-041	81
01-001-080	47
01-001-080	55
01-001-081	47
01-001-081	55
01-001-201	47
01-001-201	51
01-001-202	47
01-001-202	51
01-001-269	83
01-001-270	83
01-001-271	83
01-001-303	57
01-001-304	57
01-001-307	57
01-001-359	5
01-001-359	7
01-001-360	5
01-001-360	7
01-001-363	5
01-001-363	7
01-001-505	71
01-001-508	71
01-001-519	71

Part Number	Page
01-001-523	61
01-001-524	61
01-001-527	61
01-001-529	61
01-001-531	63
01-001-531	67
01-001-714	47
01-001-715	47
01-001-716	47
01-001-747	73
01-001-750	73
01-001-751	73
01-001-752	73
01-001-774	73
01-001-774	75
01-001-778	73
01-001-778	77
01-001-807	57
01-001-807	59
01-001-808	57
01-001-808	59
01-001-809	57
01-001-809	59
01-001-822	43
01-001-823	5
01-001-823	43
01-001-824	5
01-001-824	43
01-001-827	5
01-001-827	43
01-001-829	5
01-001-829	29
01-001-829	39
01-001-833	5
01-001-833	29

Part Number	Page
01-001-857	73
01-001-857	79
01-001-858	73
01-001-858	79
01-001-953	5
01-001-955	5
01-001-956	5
01-001-959	5
01-001-959	21
01-001-959	25
01-015-714	47
01-015-720	57
01-015-770	5
01-015-770	7
01-015-774	5
01-015-774	43
01-015-807	59
01-015-808	59
01-015-809	59
01-016-350	19
01-016-366	5
01-016-370	7
01-016-370	9
01-016-370	19
01-016-835	21
01-016-835	23
01-016-837	21
01-016-837	23
01-018-367	7
01-018-367	9
01-018-369	7
01-018-369	9
01-018-371	7
01-018-371	9
01-020-026	21

INDEX

Part Number	Page
01-020-026	23
01-024-073	5
01-024-073	31
01-024-074	5
01-024-074	33
02-006-023	51
02-006-035	49
02-006-035	84
02-006-036	49
02-006-084	55
02-006-085	55
02-006-133	71
02-006-431	71
02-009-150	19
02-009-188	25
02-011-341	81
02-015-705	5
02-015-801	43
02-015-844	71
02-015-857	79
02-015-858	79
02-015-860	75
02-015-860	77
02-015-930	21
02-016-139	81
02-016-300	25
02-016-301	25
02-016-450	45
02-016-452	45
02-016-483	51
02-016-484	51
02-016-501	63
02-016-502	67
02-016-503	63
02-016-504	67

Part Number	Page
02-016-509	63
02-016-510	67
02-016-525	63
02-016-526	67
02-016-530	63
02-016-531	63
02-016-532	67
02-016-541	63
02-016-542	67
02-016-567	63
02-016-568	67
02-016-570	67
02-016-813	63
02-016-814	67
02-016-875	41
02-018-704	5
02-018-705	5
02-018-708	5
02-018-843	71
02-018-844	71
02-018-845	71
02-018-898	43
02-018-899	43
02-018-900	43
02-018-903	43
02-018-978	21
02-018-979	21
02-018-984	25
02-018-985	25
02-027-201	51
02-027-202	51
02-027-209	51
02-027-212	51
02-027-215	51
03-004-161	7

Part Number	Page
03-004-161	9
03-004-161	11
03-004-161	13
03-016-843	29
03-016-843	35
03-016-844	31
03-016-844	33
03-024-078	7
03-024-078	9
03-024-078	11
03-024-079	7
03-024-079	9
03-024-079	11
03-024-081	11
03-024-081	15
043 491	37
043 491	39
04-8x16N	59
04-8x16N	71
05-006-034	49
05-006-034	49
05-016-848	37
05-016-906	47
05-016-906	49
05-016-908	49
05-016-908	49
05-024-101	29
05-024-101	31
05-024-101	37
05-024-102	33
05-024-102	39
05-024-102	39
06-006-056	51
06-006-056	53
06-006-056	84

INDEX

Part Number	Page
06-016-850	29
06-016-850	31
06-016-850	33
06-016-850	41
06x22	49
06X22	85
07-016-451	45
07-016-849	29
07-016-865	37
07-016-866	37
07-016-866	39
07-024-103	39
10-015-835	71
10-015-860	79
10-016-042	83
10-016-767	81
10-016-771	75
10-016-774	81
100-3-3648	31
100-3-3648	33
100-3-4208	25
100-3-4417	84
10B2-13	7
10B2-13	9
10B2-13	84
10B2-13	85
10B2-15	7
10B2-15	9
12-004-090	5
12-004-299	49
12-005-594	63
12-005-594	67
12-006-082	55
12-006-083	55
12-016-518	63

Part Number	Page
12-016-518	67
12A-1	85
12B2	29
12B2	29
12B2	31
12B2	31
12B2	33
12B2	33
12B2-14	45
13-004-300	49
13-004-300	84
13-004-301	49
13-004-301	84
13-004-303L	49
13-004-303L	84
13-004-304	49
13-004-304	84
13-004-305	37
13-004-305	39
13-004-306	31
13-005-830	35
13-005-830	43
13-005-993	29
13-005-993	31
13-005-993	33
13-005-993	35
13-005-993	43
13-005-994	29
13-005-994	31
13-005-994	33
13-005-994	35
13-005-994	43
13-006-025	47
13-006-025	49

Part Number	Page
13-006-026	47
13-006-026	49
13-006-037	49
13-006-037	85
13-009-251	55
13-011-302	25
13-015-817	59
13-015-825	59
13-016-429	41
13-016-496	11
13-016-496	13
13-016-496	84
13-016-570	63
13-016-570	67
13-016-803	81
13-016-842	29
13-016-888	41
13-016-889	41
14-004-297	49
14-004-344	53
14-006-231	59
14-006-232	59
14-009-385	61
14-009-386	61
14-010-093	23
14-015-810	59
14-015-837	61
14-015-838	61
14-015-839	61
14-015-840	61
14-015-841	61
14-015-842	61
14-015-869	79
14-015-870	79
14-016-519	63

INDEX

Part Number	Page
14-016-520	67
14-016-579	75
14-016-579	77
14-016-788S	75
14-016-789S	77
14-016-859	37
14-016-859	39
14-016-939	61
14-016-940	61
14-027-210	51
17-016-901	21
17262082RSR	23
20MSZ232	51
22-004-228	13
24-004-343	53
24-005-817	29
24-005-817	31
24-005-817	33
24-005-825	29
24-005-826	29
24-005-827	29
24-005-828	29
24-005-828	35
24-005-829	29
24-005-881	17
24-005-881W	11
24-005-881W	13
24-005-881W	17
24-005-923	29
24-009-241	29
24-009-242	29
24-009-243	29
24-016-425	35
24-024-082	17
24-024-082W	11

Part Number	Page
24-024-082W	17
24-024-084W	11
24-024-084W	31
24-024-084W	33
2-600-180	84
2-600-181/A	84
2-600-181/B	84
2-600-232	11
2-600-232	15
2-600-238	15
2-600-239	15
2-600-242	15
2-600-243/3	84
2-600-244	15
2-600-251	15
29-004-302	49
29-004-302	84
29-005-781	17
29-016-867	37
29-016-867	39
29-016-868	37
29-016-868	39
29-016-869	37
29-016-869	39
29-016-870	37
29-016-870	39
29-016-911	49
29-016-911	84
29-016-912	49
29-016-912	84
30-004-225	11
30-004-225	13
30-004-227	11
30-004-227	13
30-004-227	15

Part Number	Page
30-004-227	84
30-015-778	17
30-015-780	17
30-015-800	43
30-015-801	43
30-016-455	45
30-016-839	23
30-016-841	23
30-016-851	35
30-018-892	43
30-018-893	43
30-018-894	43
30-018-896	43
30-020-027	23
30-020-029	25
30-024-083	11
30-024-083	15
30-024-085	17
30MSZ232	13
30MSZ232	15
30-MSZ232	84
31-004-574	59
31-006-061	51
31-009-159	19
31-016-775	75
31-016-775	77
31-016-776	79
31-016-820	29
31-016-820	31
31-016-820	33
31-016-852	35
31-016-852	43
32-004-319	49
32-004-319	84
33-006-062	51

INDEX

Part Number	Page
33-016-065	41
33-016-879	43
33-027-249	49
33-027-249	84
34-004-168	23
34-004-183	13
34-004-183	84
34-004-214	13
34-004-214	17
34-004-214	35
34-004-235	13
34-004-235	15
34-004-235	84
34-010-112	23
40-004-209	35
40-004-224	13
40-004-226	13
40-010-087	17
41-016-820	13
41-016-820	15
4x18	53
50-004-340	41
50-004-340	51
50-009-265	59
50-009-266	59
50-016-456	45
51-016-495	49
51-016-495	84
52-006-031	47
52-006-031	51
52-014-221	47
52-014-221	51
54-006-080	53
54-006-080	84
60-016-878	43

Part Number	Page
6007-2RS1	35
610-0-0006	25
61-016-441	43
61-016-441	45
61-016-807	59
61-016-876	41
61-016-910	49
61-016-910	84
6202-2RS1	19
6204-2RS1	53
6206-2RS1	15
6206-2RSR	13
62MSZ231	35
62MSZ231	41
63-016-371	15
6305-2RSR	41
65-015-816	59
65-015-824	59
65-016-508	71
65-016-511	71
65-016-518	71
69-009-152	19
69-016-048	83
69-016-049	83
69-016-050	83
69-016-051	83
69-016-054	83
69-016-055	83
69-016-057	83
69-016-058	83
69-016-059	83
69-016-063	83
69-016-203	83
69-016-204	83
69-016-206	83

Part Number	Page
69-016-207	83
69-016-208	83
69-016-214	83
69-016-215	83
69-016-216	83
69-016-217	83
70-001-101	81
72MSZ231	13
72MSZ231	15
801-991	84
900-01127	25
900-01227	25
900-01345	25
900-01695	21
900-01751	25
900-06013	25
900-06145	25
900-06500	25
900-06504	25
900-06530	21
900-11035	25
900-11177	59
900-11197	71
900-17615	5
900-22974	65
900-22974	69
900-23025	7
900-23025	9
900-25005	29
900-25005	31
900-25005	33
900-25005	81
905-23028	81
CL10B2	7
CL10B2	9
CL10B2	84

INDEX

Part Number	Page
CL10B2	85
CL12B1	53
CL12B2	29
CL12B2	31
CL12B2	33
CL12B2	85
FY-507	43
FY-507	45
FY-508	23
H208	23
KM8	23
M10FW	19
M10FW	29
M10FW	31
M10FW	33
M10FW	53
M10FW	59
M10FW	65
M10FW	65
M10FW	69
M10FW	69
M10FW	71
M10FW	73
M10HN	19
M10HN	29
M10HN	31
M10HN	33
M10HN	53
M10HN	59
M10HN	65
M10HN	69
M10HN	71
M10HN	73
M10LW	19
M10LW	29

Part Number	Page
M10LW	29
M10LW	31
M10LW	31
M10LW	33
M10LW	33
M10LW	35
M10LW	43
M10LW	53
M10LW	55
M10LW	59
M10LW	65
M10LW	69
M10LW	71
M10LW	73
M10LW	75
M10LW	77
M10LW	79
M10x20	53
M10x20	55
M10x20	59
M10x20	65
M10x20	69
M10x25	29
M10x25	31
M10x25	33
M10x25	49
M10x25	65
M10x25	69
M10x25	73
M10x30	35
M10x30	43
M10x30	65
M10x30	69
M10x30	71
M10x30	75

Part Number	Page
M10x30	77
M10x30	79
M10x35	19
M10x45	29
M10x45	31
M10x45	33
M10x80	37
M10x80	49
M10X80	84
M10x90	37
M10x90	39
M12FW	7
M12FW	9
M12FW	21
M12FW	23
M12FW	43
M12FW	43
M12FW	45
M12FW	53
M12FW	55
M12FW	61
M12FW	71
M12FW	73
M12HN	7
M12HN	9
M12HN	21
M12HN	23
M12HN	43
M12HN	45
M12HN	61
M12HN	73
M12LHN	19
M12LHN	75
M12LHN	77
M12LHN	79

INDEX

Part Number	Page
M12LW	7
M12LW	9
M12LW	21
M12LW	23
M12LW	43
M12LW	45
M12LW	53
M12LW	55
M12LW	71
M12LW	73
M12W	45
M12x100	75
M12x100	77
M12x100	79
M12x30	43
M12x30	45
M12x30	53
M12x30	55
M12x30	71
M12x35	53
M12x35CB	21
M12x35CB	23
M12x40	45
M12x50	7
M12x50	9
M12x50	43
M12x55	7
M12x55	9
M12x55	21
M12x55	45
M12x70	21
M12x80	53
M12x90	73
M14FW	7
M14FW	9

Part Number	Page
M16FW	13
M16FW	29
M16FW	31
M16FW	33
M16JN	41
M16x1.5	13
M24FW	41
M6FW	63
M6FW	67
M6HN	63
M6HN	67
M6LW	63
M6LW	67
M6x20	63
M6x20	67
M8FW	55
M8FW	63
M8FW	63
M8FW	67
M8FW	75
M8FW	77
M8FW	79
M8FW	61
M8FW	67
M8HN	17
M8HN	55
M8HN	65
M8HN	69
M8HN	75
M8HN	77
M8HN	79
M8HN	81
M8LW	13
M8LW	15
M8LW	17

Part Number	Page
M8LW	41
M8LW	55
M8LW	61
M8LW	65
M8LW	67
M8LW	75
M8LW	77
M8LW	79
M8LW	81
M8x20	13
M8x20	15
M8x20	41
M8x20	61
M8x20	65
M8x20	69
M8x20	75
M8x20	77
M8x20	79
M8x20	81
M8x20LHN	17
M8x20SL	75
M8x20SL	77
M8x20SL	79
M8x20SS	17
M8x25	65
M8x25	69
M8x25CB	55
M8x30	75
M8x30	77
M8x30	79
M8x35	17
M8x35	59
MB8	23
OL12B2	29
PF52	17

INDEX

Part Number	Page
PM3535SY	39
RONA 63/TAU	37
RONA 63/TAU	39
Y30x52x10	13
Y30x52x10	15
YT-205	17
YT-207	43
YT-207	43
YT-207	45
Z30x40x7	11
Z30x40x7	13
Z30X40X7	84

Part Number	Page
--------------------	-------------



Sheyenne Tooling & Mfg.

701 Lenham Ave. - P.O. Box 647

Cooperstown, ND 58425

Office (701) 797-2700

Fax (701) 797-2584

Toll Free (800) 797-1883

www.sheyennemfg.com